

Technical Sheet Release: 7/2000	S35	Oil service	
 <p style="text-align: center;">S35 Single acting, single air drive head</p>	Technical Data:		
	Air Drive Pressure:	1–10 bar/14,5–145 psi	
	Calculated Outlet Pressure at an air drive of 10 bar / 145 psi	390 bar/ 5,655 psi	
	Pressure ratio:	1 : 39	
	Displacement Volume/Double Stroke:	12.6 cm ³ / 0.77 cu.inch	
	Connections:		
	Inlet: (only side inlet available)	3/4 BSP	
	Outlet:	3/4 BSP	
	Air Drive:	1/2 BSP	
	Maximum Operating Temperature:	60°C	
	Net weight:	9.1 kg	
	<i>Pressure and flow performances, please see enclosed graph.</i>		
	Materials of Construction:	Top cap:	Aluminium
		Air cylinder:	Aluminium
	Seal Package:	Polyurethane, Buna	
	Pump Body:	GGG50	
	HP Piston:	1.4112 (hardened)	
Approximate Dimensions:			
	Height:	221 mm	
	Depth:	135 mm	
	Width:	175.5 mm	
Available Options:			
	Special inlet and outlet ports, i.e. NPT	S35-NPT	
	Special seal material to handle special fluids on request.		
Available Accessories:			
Air control units for S series with filter pressure regulator, control pressure gauge and shut-off valve:	S35 with C1.5		
To protect the pump against excessive outlet pressures or to limit the outlet pressure, a safety valve can be fitted to the air control unit in the air drive line:	S35 with C1.5/SVair (The required outlet pressure has to be indicated.)		

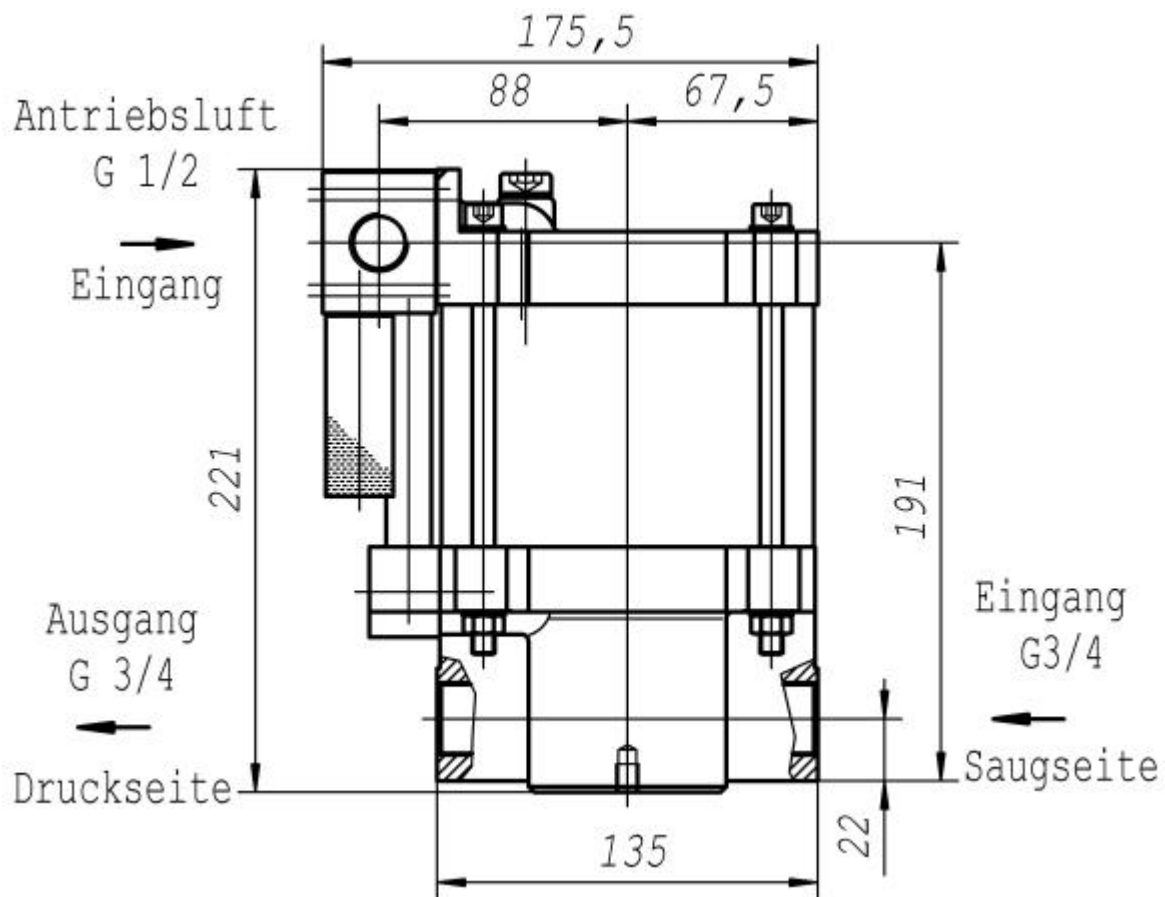
Please consult factory for more information.

All technical and dimensional information subject to change. All General Terms and Conditions of sale, including limitations of our liability, apply to all products and services sold.

MAXIMATOR®

Dimension Drawing S35

Antriebsluft = Air Drive
Eingang = Inlet
Druckseite = Pressure side
Ausgang = Outlet
Saugseite = Suction side
Eingang = Inlet
Standard pump comes with BSP ports, only side inlet available.



Leistungsdiagramm/Performance Graph

S 35

