

# MAXIMATOR®

Technical Sheet Release: 7/2000	<b>S150</b>	Oil service
 <p style="text-align: center;"><b>S150</b> Single acting, single air drive head</p>	<b>Technical Data:</b>	
	Air Drive Pressure:	1–10 bar/14,5–145 psi
	Maximum permitted Outlet Pressure:	1,000 bar/ 14,500 psi
	Pressure ratio:	1 : 156
	Displacement Volume/Double Stroke:	3.1 cm <sup>3</sup> / 0.19 cu.inch
	<b>Connections:</b>	
	Inlet: (only side inlet available)	1/2 BSP
	Outlet:	3/8 BSP
	Air Drive:	1/2 BSP
	Maximum Operating Temperature:	60°C
	Net weight:	9.1 kg
	<i>Pressure and flow performances, please see enclosed graph.</i>	
	<b>Materials of Construction:</b>	Top cap:
	Air cylinder:	Aluminium
	Seal Package:	Polyurethane, Buna
	Pump Body:	GGG50
	HP Piston:	1.4112 (hardened)
<b>Approximate Dimensions:</b>	Height:	221 mm
	Depth:	135 mm
	Width:	175.5 mm
<b>Available Options:</b>	Special inlet and outlet ports, i.e. NPT	S150-NPT
	Special seal material to handle special fluids on request.	
<b>Available Accessories:</b>	Air control units for S series with filter pressure regulator, control pressure gauge and shut-off valve:	
	S150 with C1.5	
To protect the pump against excessive outlet pressures or to limit the outlet pressure, a safety valve can be fitted to the air control unit in the air drive line:	S150 with C1.5/SVair (The required outlet pressure has to be indicated.)	

**Please consult factory for more information.**

*All technical and dimensional information subject to change. All General Terms and Conditions of sale, including limitations of our liability, apply to all products and services sold.*

MAXIMATOR GmbH

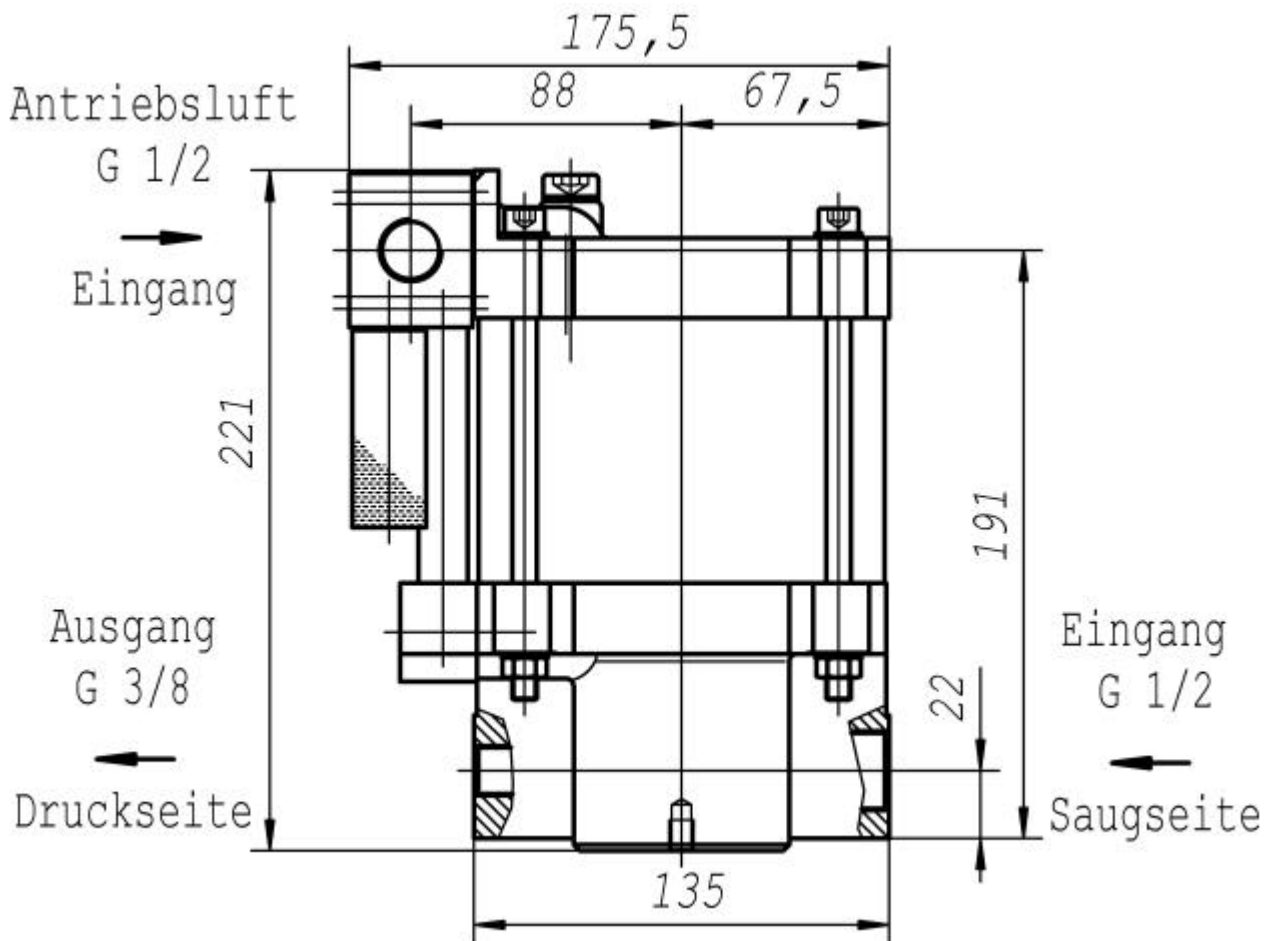
37449 Zorge/Germany, Walkenrieder Str. 15, Tel.: ++49 (0) 5586 803 0, Fax: ++49 (0) 5586 803 40

e-mail: [info@maximator.de](mailto:info@maximator.de), website: [www.maximator.de](http://www.maximator.de)

# MAXIMATOR®

## Dimension Drawing S150

Antriebsluft = Air Drive  
Eingang = Inlet  
Druckseite = Pressure side  
Ausgang = Outlet  
Saugseite = Suction side  
Eingang = Inlet  
Standard pump comes with BSP ports, only side inlet available.



MAXIMATOR GmbH

37449 Zorge/Germany, Walkenrieder Str. 15, Tel.: ++49 (0) 5586 803 0, Fax: ++49 (0) 5586 803 40

e-mail: [info@maximator.de](mailto:info@maximator.de), website: [www.maximator.de](http://www.maximator.de)

