

|   |   |                                    |           |
|---|---|------------------------------------|-----------|
| <b>Technical Sheet</b><br>Release: 7/2000   | <b>S100</b>   | <b>Oil service</b>                 |           |
|  <p style="text-align: center;"><b>S100</b><br/>Single acting, single air drive head</p> | <b>Technical Data:</b>  |                                    |           |
|   | Air Drive Pressure:   | 1–10 bar/14,5–145 psi              |           |
|   | Maximum permitted Outlet Pressure:  | 1,000 bar/ 14,500 psi              |           |
|   | Pressure ratio:   | 1 : 108                            |           |
|   | Displacement Volume/Double Stroke:  | 4.5 cm <sup>3</sup> / 0.27 cu.inch |           |
|   | <b>Connections:</b>   |                                    |           |
|   | Inlet:<br>(only side inlet available)   | 1/2 BSP                            |           |
|   | Outlet:   | 3/8 BSP                            |           |
|   | Air Drive:  | 1/2 BSP                            |           |
|   | Maximum Operating Temperature:  | 60°C                               |           |
|   | Net weight:   | 9.1 kg                             |           |
|   | <i>Pressure and flow performances, please see enclosed graph.</i>   |                                    |           |
|   | <b>Materials of Construction:</b>   | Top cap:                           | Aluminium |
|   |   | Air cylinder:                      | Aluminium |
|   | Seal Package:   | Polyurethane, Buna                 |           |
|   | Pump Body:  | GGG50                              |           |
|   | HP Piston:  | 1.4112 (hardened)                  |           |
| <b>Approximate Dimensions:</b>  | Height:   | 221 mm                             |           |
|   | Depth:  | 135 mm                             |           |
|   | Width:  | 175.5 mm                           |           |
| <b>Available Options:</b>   | Special inlet and outlet ports, i.e. NPT  | S100-NPT                           |           |
|   | Special seal material to handle special fluids on request.  |                                    |           |
| <b>Available Accessories:</b>   | Air control units for S series with filter pressure regulator, control pressure gauge and shut-off valve: |                                    |           |
|   | S100 with C1.5  |                                    |           |
| To protect the pump against excessive outlet pressures or to limit the outlet pressure, a safety valve can be fitted to the air control unit in the air drive line:       | S100 with C1.5/SVair<br>(The required outlet pressure has to be indicated.)                               |                                    |           |

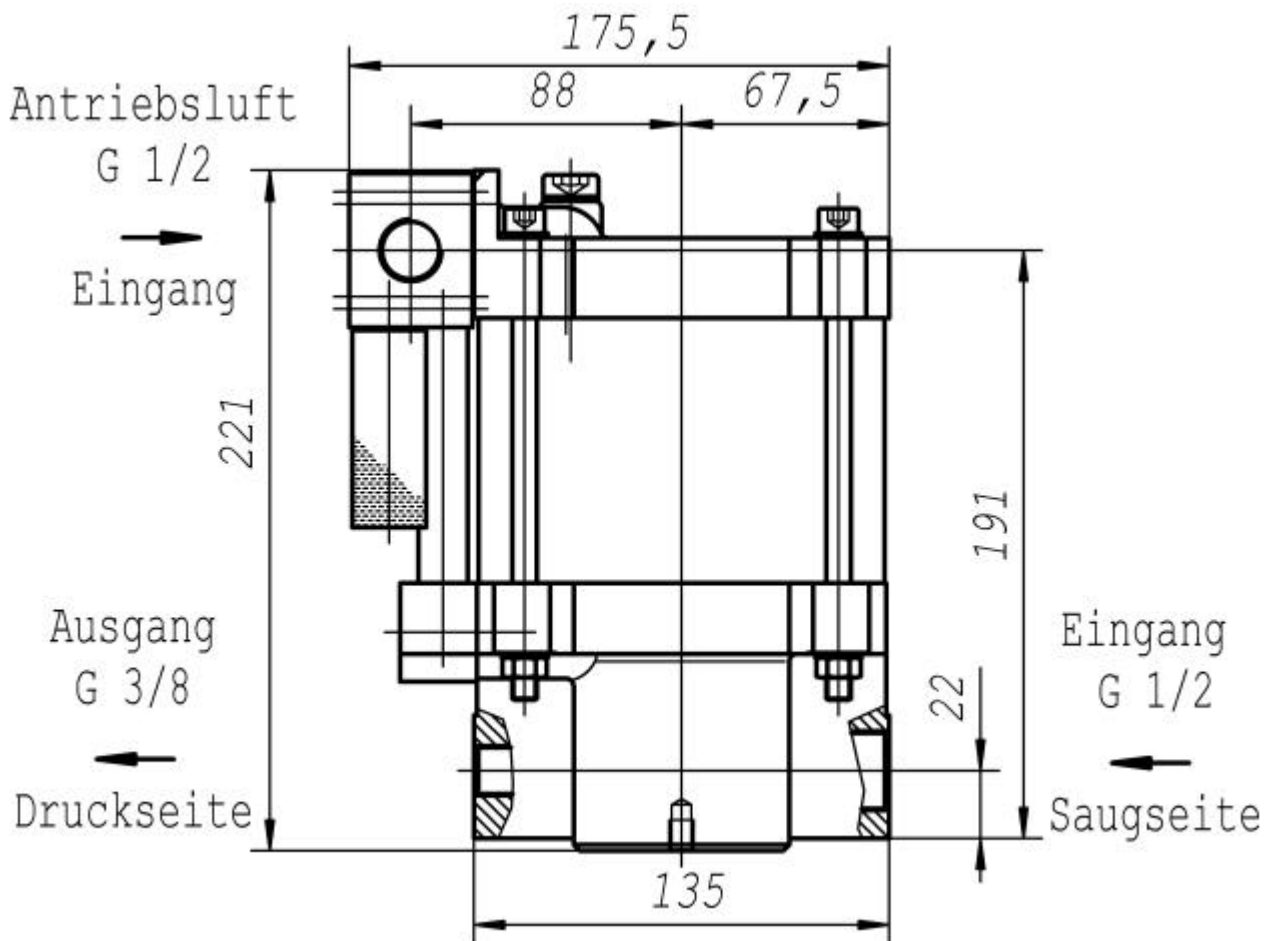
**Please consult factory for more information.**

*All technical and dimensional information subject to change. All General Terms and Conditions of sale, including limitations of our liability, apply to all products and services sold.*

# MAXIMATOR®

## Dimension Drawing S100

Antriebsluft = Air Drive  
Eingang = Inlet  
Druckseite = Pressure side  
Ausgang = Outlet  
Saugseite = Suction side  
Eingang = Inlet  
Standard pump comes with BSP ports, only side inlet available.



MAXIMATOR GmbH

37449 Zorge/Germany, Walkenrieder Str. 15, Tel.: ++49 (0) 5586 803 0, Fax: ++49 (0) 5586 803 40

e-mail: [info@maximator.de](mailto:info@maximator.de), website: [www.maximator.de](http://www.maximator.de)

