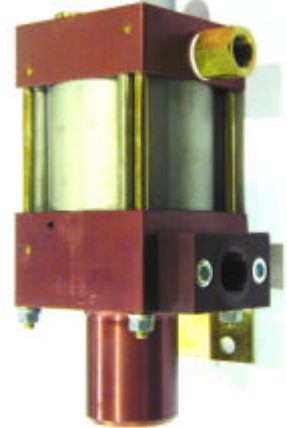


Technical Sheet Release: 6/2000	<b>MO8</b>	Oil service	
 <p style="text-align: center;"><b>MO8</b> Single acting, single air drive head (Standard = Bottom inlet)</p>	<b>Technical Data:</b>		
	Air Drive Pressure:	1–10 bar/14,5–145 psi	
	Calculated Outlet Pressure at an air drive of 10 bar / 145 psi	90 bar/ 1,305 psi	
	Pressure ratio:	1 : 9	
	Displacement Volume/Double Stroke:	14.7 cm <sup>3</sup> / 0.90 cu.inch	
	<b>Connections:</b>		
	Inlet:	Standard: Bottom inlet 3/4 BSP	
	Outlet:	1/2 BSP	
	Air Drive:	3/8 BSP	
	Maximum Operating Temperature:	60°C	
Net weight:	2.5 kg		
<i>Pressure and flow performances, please see enclosed graph.</i>			
<b>Material of construction:</b>			
Top cap:	Aluminium		
Air cylinder:	Aluminium		
Seal Package:	Polyurethane, Buna N		
Pump Body:	AlCuMgPbF34 „anodized“		
Piston:	1.4112 (hardened)		
<b>Approximate Dimensions:</b>			
Height:	190 mm		
Depth:	102 mm		
Width:	80 mm		
Special inlet and outlet ports, i.e. NPT	MO8-NPT		
Special seal material to handle special fluids on request.			
<b>Available Accessories:</b>			
Air control units for M series with filter pressure regulator, control pressure gauge and shut-off valve:	MO8 with C1		
To protect the pump against excessive outlet pressures or to limit the outlet pressure, a safety valve can be fitted to the air control unit in the air drive line:	MO8 with C1/SVair (The required outlet pressure has to be indicated.)		

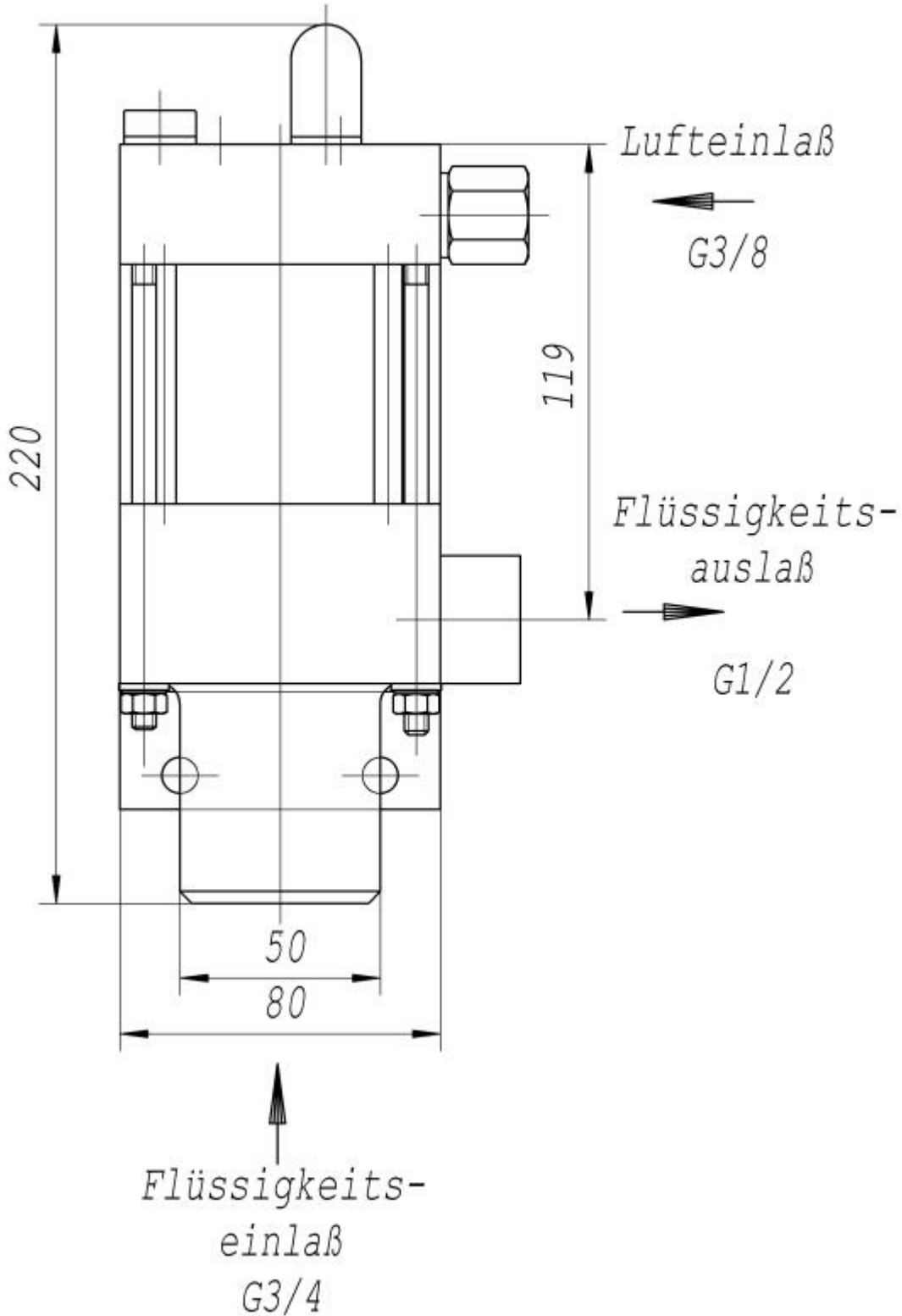
**Please consult factory for more information.**

*All technical and dimensional information subject to change. All General Terms and Conditions of sale, including limitations of our liability, apply to all products and services sold.*

# MAXIMATOR®

## Dimension Drawing MO8

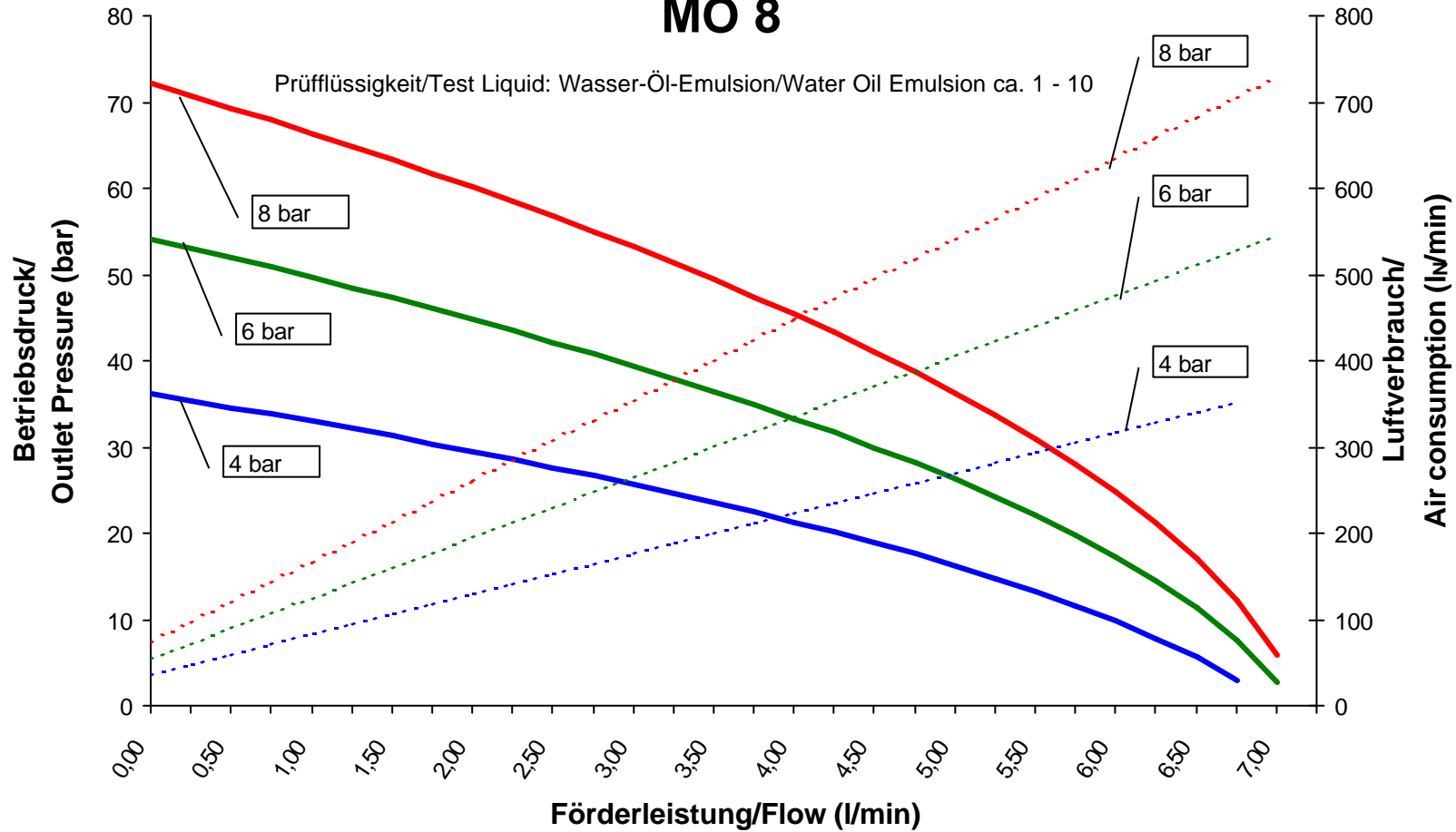
*Lufteinlaß* = Air Drive Inlet  
*Flüssigkeitseinlaß* = Liquid Inlet  
*Flüssigkeitsauslaß* = Liquid Outlet  
Standard pump comes with BSP ports and bottom inlet.



## Leistungsdiagramm/Performance Graph

### MO 8

Prüfflüssigkeit/Test Liquid: Wasser-Öl-Emulsion/Water Oil Emulsion ca. 1 - 10



- Betriebsdruck bei/Outlet Pressure at 4 bar
- Betriebsdruck bei/Outlet Pressure at 6 bar
- Betriebsdruck bei/Outlet Pressure at 8 bar
- ... Luftverbrauch bei/Air consumption at 4 bar
- ... Luftverbrauch bei/Air consumption at 6 bar
- ... Luftverbrauch bei/Air consumption at 8 bar