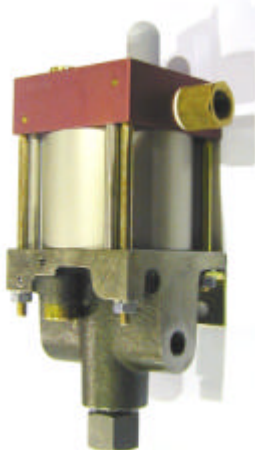


Technical Sheet Release: 7/2000	MO37	Oil service	
 <p style="text-align: center;">MO37 Single acting, single air drive head (Standard = Bottom inlet)</p>	Technical Data:		
	Air Drive Pressure:	1–10 bar/14,5–145 psi	
	Calculated Outlet Pressure at an air drive of 10 bar / 145 psi	470 bar/ 6,815 psi	
	Pressure ratio:	1 : 47	
	Displacement Volume/Double Stroke:	2.8 cm ³ / 0.17 cu.inch	
	Connections:		
	Inlet:	Standard: Bottom inlet 3/8 BSP	
	Outlet:	1/4 BSP	
	Air Drive:	3/8 BSP	
	Maximum Operating Temperature:	60°C	
	Net weight:	3.0 kg	
	<i>Pressure and flow performances, please see enclosed graph.</i>		
	Material of construction:	Top cap:	Aluminium
		Air cylinder:	Aluminium
	Seal Package:	Polyurethane, Buna	
	Pump Body:	GGG50	
	HP Piston:	1.4112 (hardened)	
Approximate Dimensions:			
	Height:	195 mm	
	Depth:	104 mm	
	Width:	112 mm	
	Side inlet:	MO37S	
	External pilot port modification:	MO37-DIR	
	Special inlet and outlet ports, i.e. NPT	MO37-NPT	
	Special seal material to handle special fluids on request.		
Available Accessories:			
Air control units for M series with filter pressure regulator, control pressure gauge and shut-off valve:	MO37 with C1		
To protect the pump against excessive outlet pressures or to limit the outlet pressure, a safety valve can be fitted to the air control unit in the air drive line:	MO37 with C1/SVair (The required outlet pressure has to be indicated.)		

Please consult factory for more information.

All technical and dimensional information subject to change. All General Terms and Conditions of sale, including limitations of our liability, apply to all products and services sold.

MAXIMATOR®

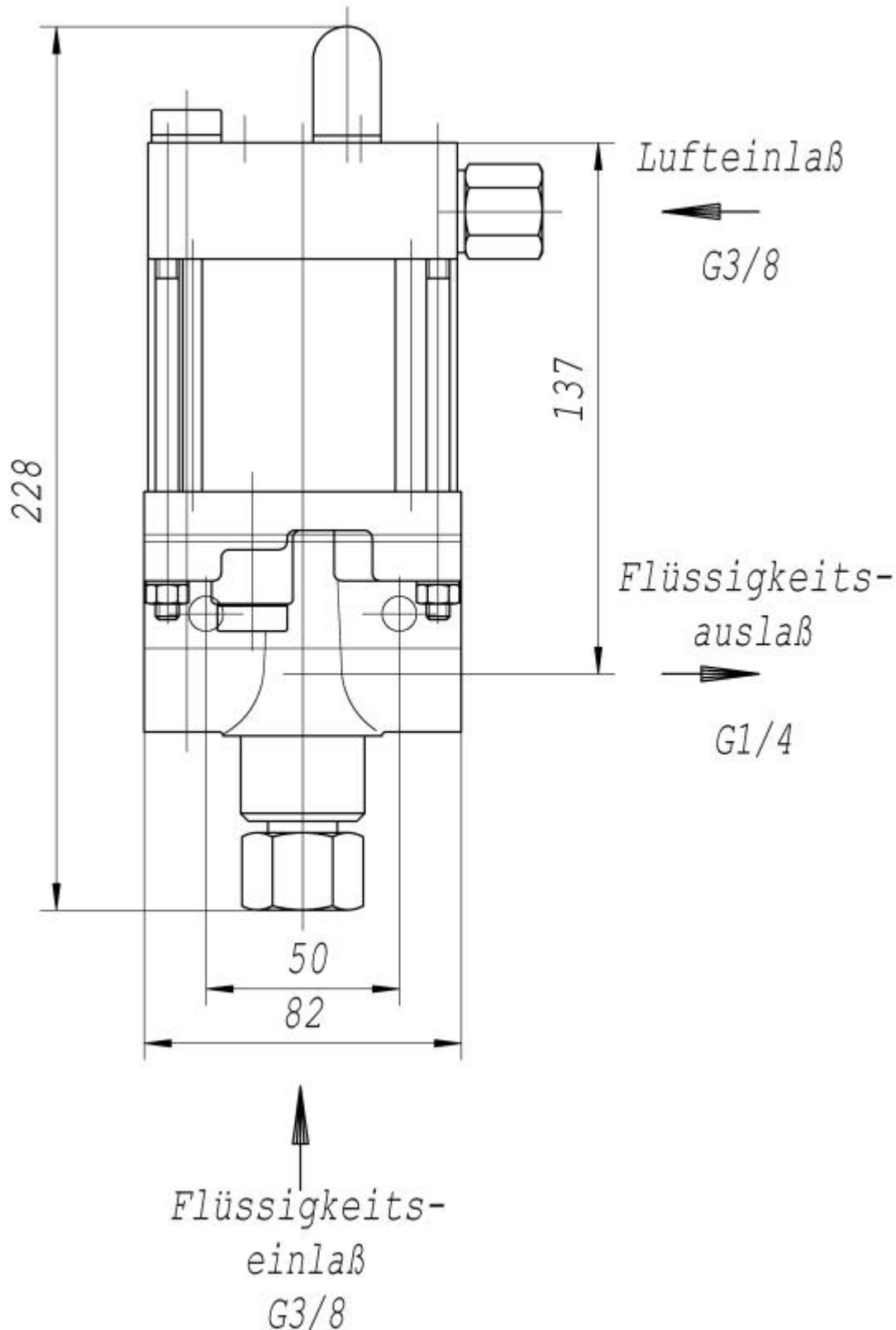
Dimension Drawing MO37

Lufteinlaß = Air Drive Inlet

Flüssigkeitseinlaß = Liquid Inlet

Flüssigkeitsauslaß = Liquid Outlet

Standard pump comes with BSP ports and bottom inlet.



MAXIMATOR GmbH

37449 Zorge/Germany, Walkenrieder Str. 15, Tel.: ++49 (0) 5586 803 0, Fax: ++49 (0) 5586 803 40

e-mail: info@maximator.de, website: www.maximator.de

