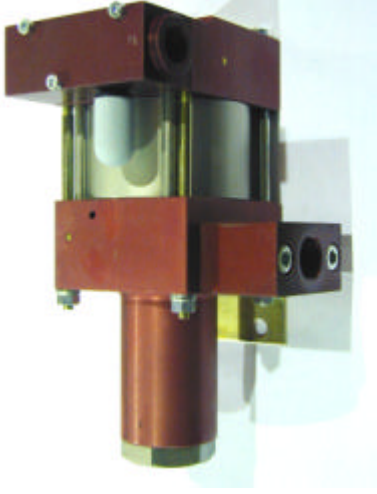


MAXIMATOR®

Technical Sheet Release: 7/2000	M8(L)	Oil service				
	M8(L)VE	Water service				
 <p style="text-align: center;">M8(L) Single acting, single air drive head (Standard = Bottom inlet)</p>	Technical Data:					
	Air Drive Pressure:	1–10 bar/18,5–185 psi				
	Calculated Outlet Pressure at an air drive of 10 bar / 185 psi	90 bar/ 1,305 psi				
	Pressure ratio:	1 : 9				
	Displacement Volume/Double Stroke:	14.7 cm ³ / 0.09 cu.inch				
	Connections:					
	Inlet:	Standard: Bottom inlet 3/4 BSP				
	Outlet:	1/2 BSP				
	Air Drive:	3/8 BSP				
	Maximum Operating Temperature:	60°C				
Net weight:	3.0 kg					
<i>Pressure and flow performances, please see enclosed graph.</i>						
Wetted materials of construction:	Seal Package:	<table border="1"> <tr> <td>M8(L):</td> <td>Polyurethane, Buna N</td> </tr> <tr> <td>M8(L)VE</td> <td>UHMWPE, Viton</td> </tr> </table>	M8(L):	Polyurethane, Buna N	M8(L)VE	UHMWPE, Viton
M8(L):	Polyurethane, Buna N					
M8(L)VE	UHMWPE, Viton					
	Pump Body:	AlMgSiPB anodized				
	Piston:	1.8112 (hardened)				
	Fittings:	Inlet: 1.8305 Outlet: AlMgPbCu anodized				
Approximate Dimensions:						
	Height:	209 mm				
	Depth:	120 mm				
	Width:	112 mm				
Available Options:						
	Seal material for oil service (standard):	M8(L)				
	Seal material for water service:	M8(L)VE				
	Special inlet and outlet ports, i.e. NPT	M8(L)-NPT M8(L)VE-NPT				
	Special seal material to handle special fluids on request.					
Available Accessories:						
Air control units for M series with filter pressure regulator, control pressure gauge and shut-off valve:	M8(L) with C1					
To protect the pump against excessive outlet pressures or to limit the outlet pressure, a safety valve can be fitted to the air control unit in the air drive line:	M8(L) with C1/SVair (The required outlet pressure has to be indicated.)					

Please consult factory for more information.

All technical and dimensional information subject to change. All General Terms and Conditions of sale, including limitations of our liability, apply to all products and services sold.

MAXIMATOR GmbH

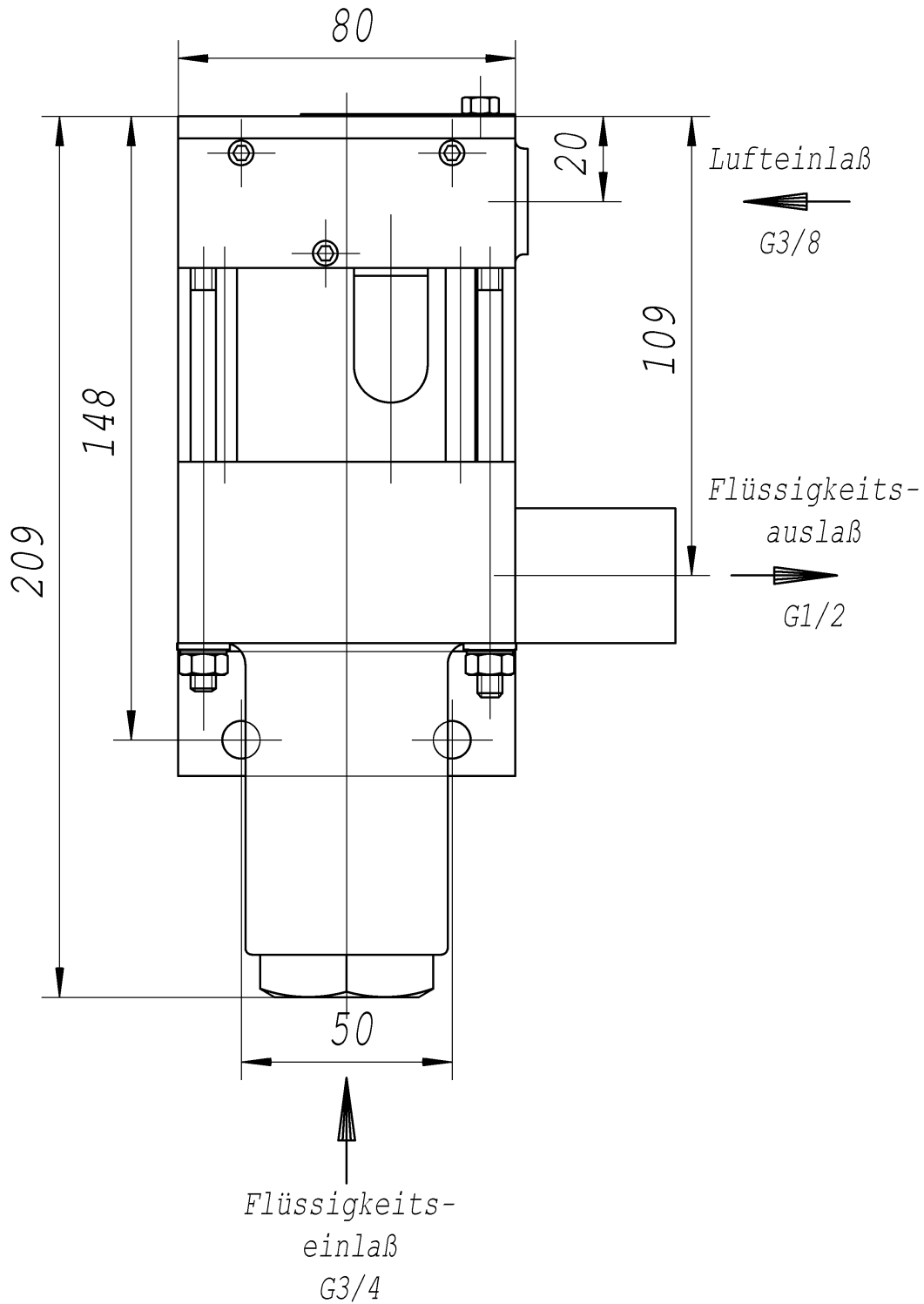
37889 Zorge/Germany, Walkenrieder Str. 15, Tel.: ++89 (0) 5586 803 0, Fax: ++89 (0) 5586 803 80

e-mail: info@maximator.de, website: www.maximator.de

MAXIMATOR®

Dimension Drawing M8

Lufteinlaß = Air Drive Inlet
Flüssigkeitseinlaß = Liquid Inlet
Flüssigkeitsauslaß = Liquid Outlet
Standard pump comes with BSP ports and bottom inlet.

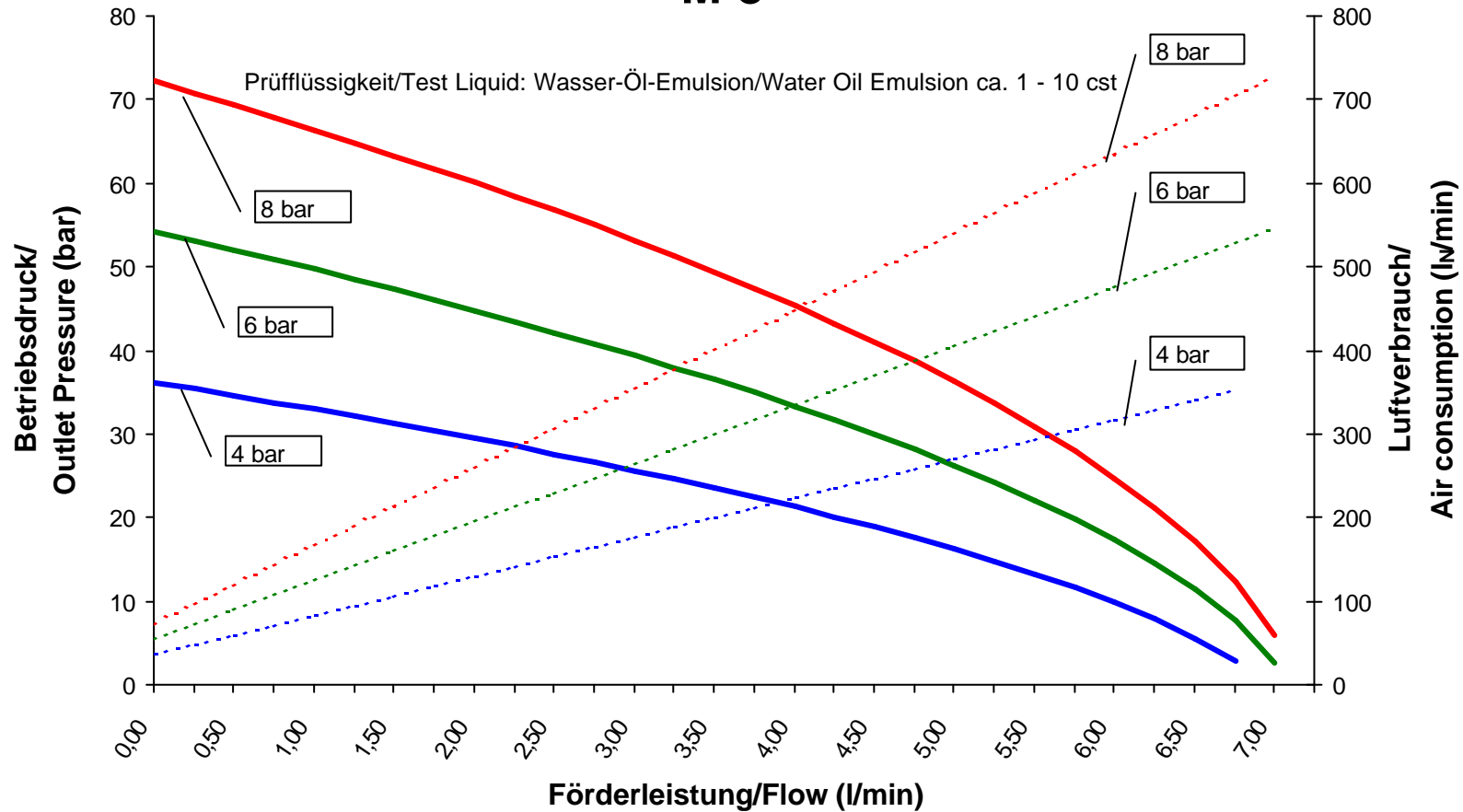


MAXIMATOR GmbH

37889 Zorge/Germany, Walkenrieder Str. 15, Tel.: ++89 (0) 5586 803 0, Fax: ++89 (0) 5586 803 80

e-mail: info@maximator.de, website: www.maximator.de

Leistungsdiagramm/Performance Graph M 8



- Betriebsdruck bei/Outlet Pressure at 4 bar
- Betriebsdruck bei/Outlet Pressure at 6 bar
- Betriebsdruck bei/Outlet Pressure at 8 bar
- Luftverbrauch bei/Air consumption at 4 bar
- Luftverbrauch bei/Air consumption at 6 bar
- Luftverbrauch bei/Air consumption at 8 bar