


# MAXIMATOR®

<b>Technical Sheet</b> Release: 7/2000	<b>M37(L)</b>	Oil service		
	<b>M37(L)VE</b>	Water service		
 <p style="text-align: center;"><b>M37(L)</b>  <b>Single acting, single air drive head</b>          (Standard = Bottom inlet)</p>	<b>Technical Data:</b>			
	Air Drive Pressure:	1–10 bar/14,5–145 psi		
	Calculated Outlet Pressure at an air drive of 10 bar / 145 psi	470 bar/ 6,670 psi		
	Pressure ratio:	1 : 47		
	Displacement Volume/Double Stroke:	2.8 cm <sup>3</sup> / 0.17 cu.inch		
	<b>Connections:</b>			
	Inlet:	Standard: Bottom inlet 3/8 BSP		
	Outlet:	3/8 BSP		
	Air Drive:	3/8 BSP		
	Maximum Operating Temperature:	60°C		
	Net weight:	2.8 kg		
	<i>Pressure and flow performances, please see enclosed graph.</i>			
	<b>Wetted materials of construction:</b>	Seal Package:	M37(L):	Polyurethane, Buna N
			M37(L)VE	UHMWPE, Viton
Pump Body:		1.4305		
Piston:		1.4112 (hardened)		
Fittings:		1.4104		
<b>Approximate Dimensions:</b>		Height:	195 mm	
		Depth:	104 mm	
		Width:	112 mm	
<b>Available Options:</b>	Seal material for oil service (standard):	M37(L)		
	Seal material for water service:	M37(L)VE		
	Side inlet:	M37(L) <b>S</b> / M37(L) <b>VES</b>		
	Hand lever/Spring return:	M37- <b>HL</b> (only available with seal package Polyurethane, Buna N)		
	External pilot port modification:	M37(L)- <b>DIR</b>		
	Special inlet and outlet ports, i.e. NPT	M37(L)- <b>NPT</b> M37(L)VE- <b>NPT</b>		
	Special seal material to handle special fluids on request.			
<b>Available Accessories:</b>				
Air control units for M series with filter pressure regulator, control pressure gauge and shut-off valve:	M37(L) <b>with C1</b>			
To protect the pump against excessive outlet pressures or to limit the outlet pressure, a safety valve can be fitted to the air control unit in the air drive line:	M37(L) <b>with C1/SVair</b> (The required outlet pressure has to be indicated.)			

**Please consult factory for more information.**

*All technical and dimensional information subject to change. All General Terms and Conditions of sale, including limitations of our liability, apply to all products and services sold.*

**MAXIMATOR GmbH**

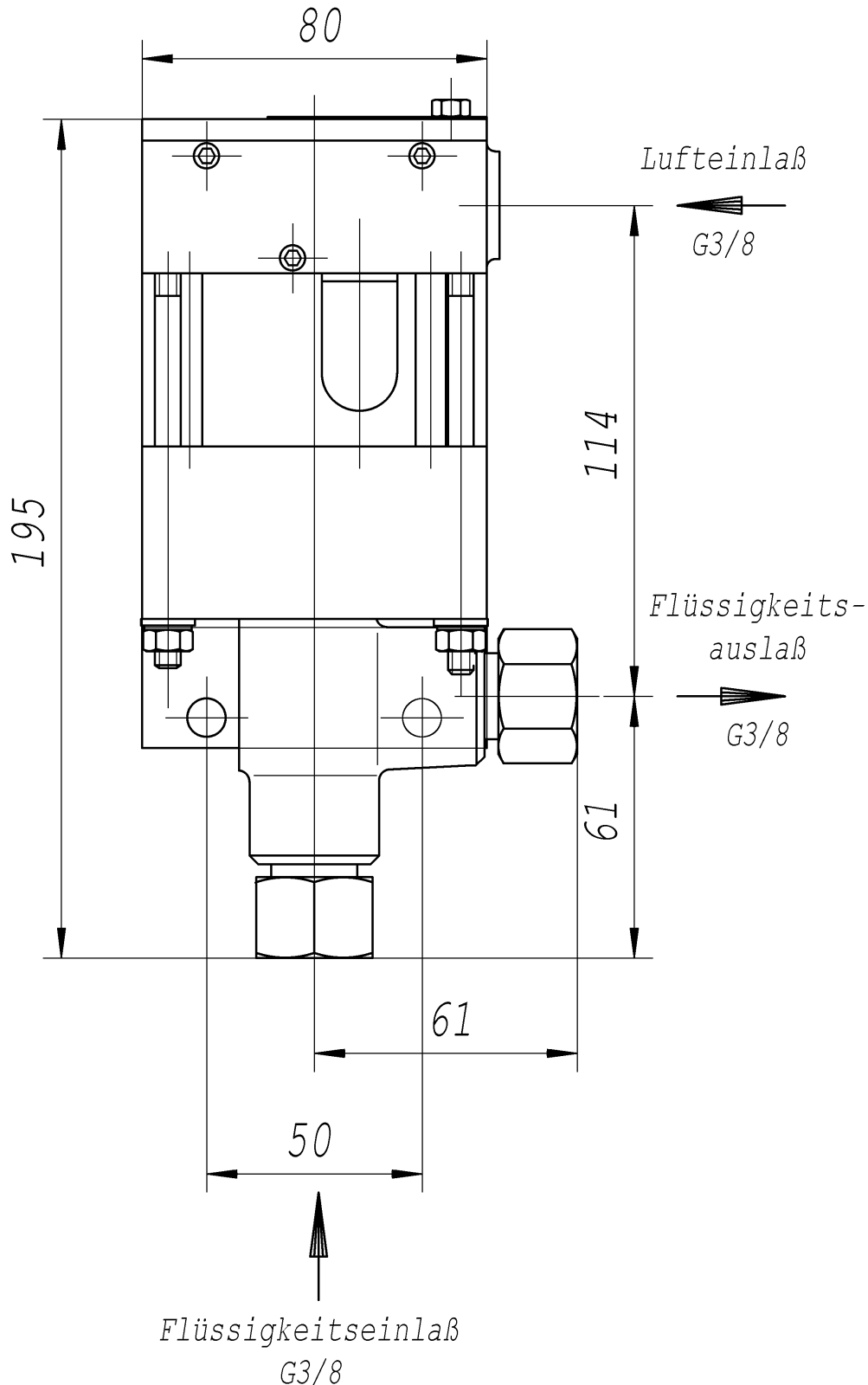
37449 Zorge/Germany, Walkenrieder Str. 15, Tel.: ++49 (0) 5586 803 0, Fax: ++49 (0) 5586 803 40

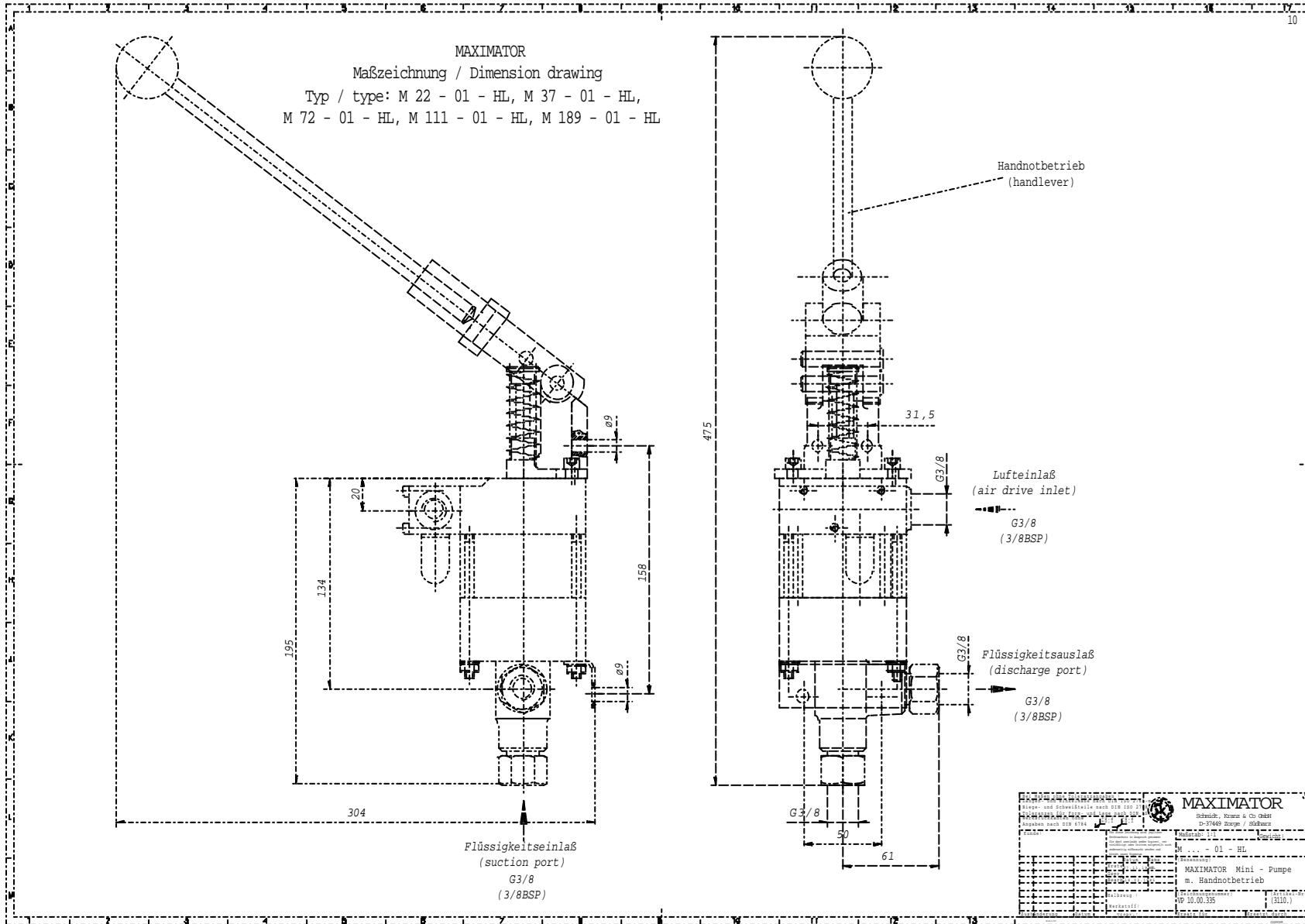
e-mail: [info@maximator.de](mailto:info@maximator.de), website: [www.maximator.de](http://www.maximator.de)

# MAXIMATOR®

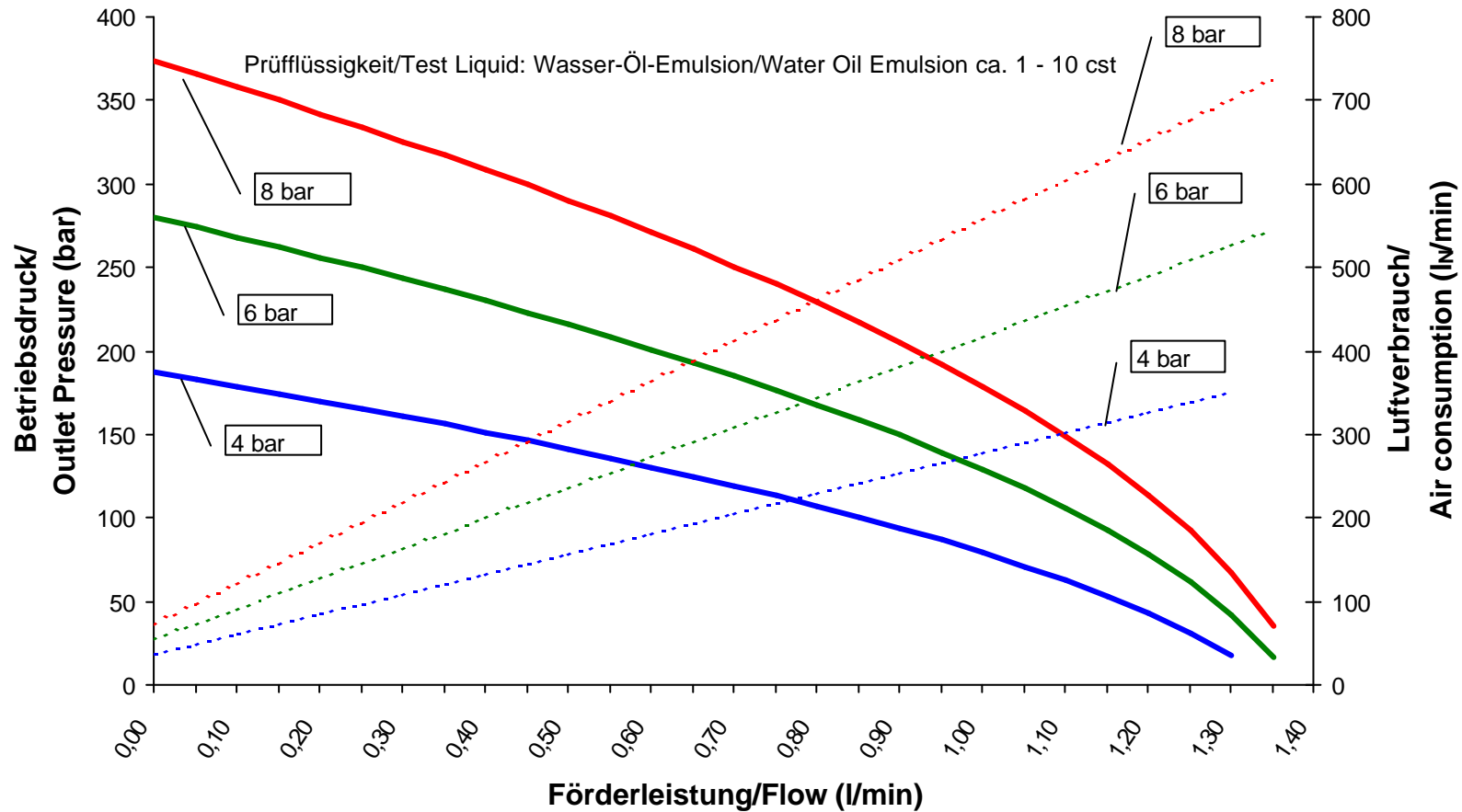
## Dimension Drawing M 37

*Lufteinlaß* = Air Drive Inlet  
*Flüssigkeitseinlaß* = Liquid Inlet  
*Flüssigkeitsauslaß* = Liquid Outlet  
Standard pump comes with BSP ports and bottom inlet.





## Leistungsdiagramm/Performance Graph M 37



- Betriebsdruck bei/Outlet Pressure at 4 bar
- Betriebsdruck bei/Outlet Pressure at 6 bar
- Betriebsdruck bei/Outlet Pressure at 8 bar
- Luftverbrauch bei/Air consumption at 4 bar
- Luftverbrauch bei/Air consumption at 6 bar
- Luftverbrauch bei/Air consumption at 8 bar