


MAXIMATOR®

Technical Sheet Release: 7/2000	M189(L)	Oil service	
	M189(L)VE	Water service	
 <p style="text-align: center;">M189(L) Single acting, single air drive head (Standard = Bottom inlet)</p>	Technical Data:		
	Air Drive Pressure:	1–10 bar/14,5–145 psi	
	Calculated Outlet Pressure at an air drive of 10 bar / 145 psi	2,200 bar/ 31,900 psi	
	Pressure ratio:	1 : 220	
	Displacement Volume/Double Stroke:	0.6 cm ³ / 0.04 cu.inch	
	Connections:		
	Inlet:	Standard: Bottom inlet 3/8 BSP	
	Outlet:	3/8 BSP	
	Air Drive:	3/8 BSP	
	Maximum Operating Temperature:	60°C	
Net weight:	2.8 kg		
<i>Pressure and flow performances, please see enclosed graph.</i>			
Wetted materials of construction:			
Seal Package:	M189(L):	Polyurethane, Buna N	
	M189(L)VE	UHMWPE, Viton	
Pump Body:	1.4305		
Piston:	1.4112 (hardened)		
Fittings:	1.4104		
Approximate Dimensions:			
Height:	195 mm		
Depth:	104 mm		
Width:	112 mm		
Available Options:			
Seal material for oil service (standard):	M189(L)		
Seal material for water service:	M189(L)VE		
Side inlet:	M189(L) S / M189(L) VES		
Hand lever/Spring return:	M189- HL (only available with seal package Polyurethane, Buna N)		
External pilot port modification:	M189(L)- DIR		
Special inlet and outlet ports, i.e. NPT	M189(L)- NPT M189(L)VE- NPT		
Special seal material to handle special fluids on request.			
Available Accessories:			
Air control units for M series with filter pressure regulator, control pressure gauge and shut-off valve:	M189(L) with C1		
To protect the pump against excessive outlet pressures or to limit the outlet pressure, a safety valve can be fitted to the air control unit in the air drive line:	M189(L) with C1/SVair (The required outlet pressure has to be indicated.)		

Please consult factory for more information.

All technical and dimensional information subject to change. All General Terms and Conditions of sale, including limitations of our liability, apply to all products and services sold.

MAXIMATOR GmbH

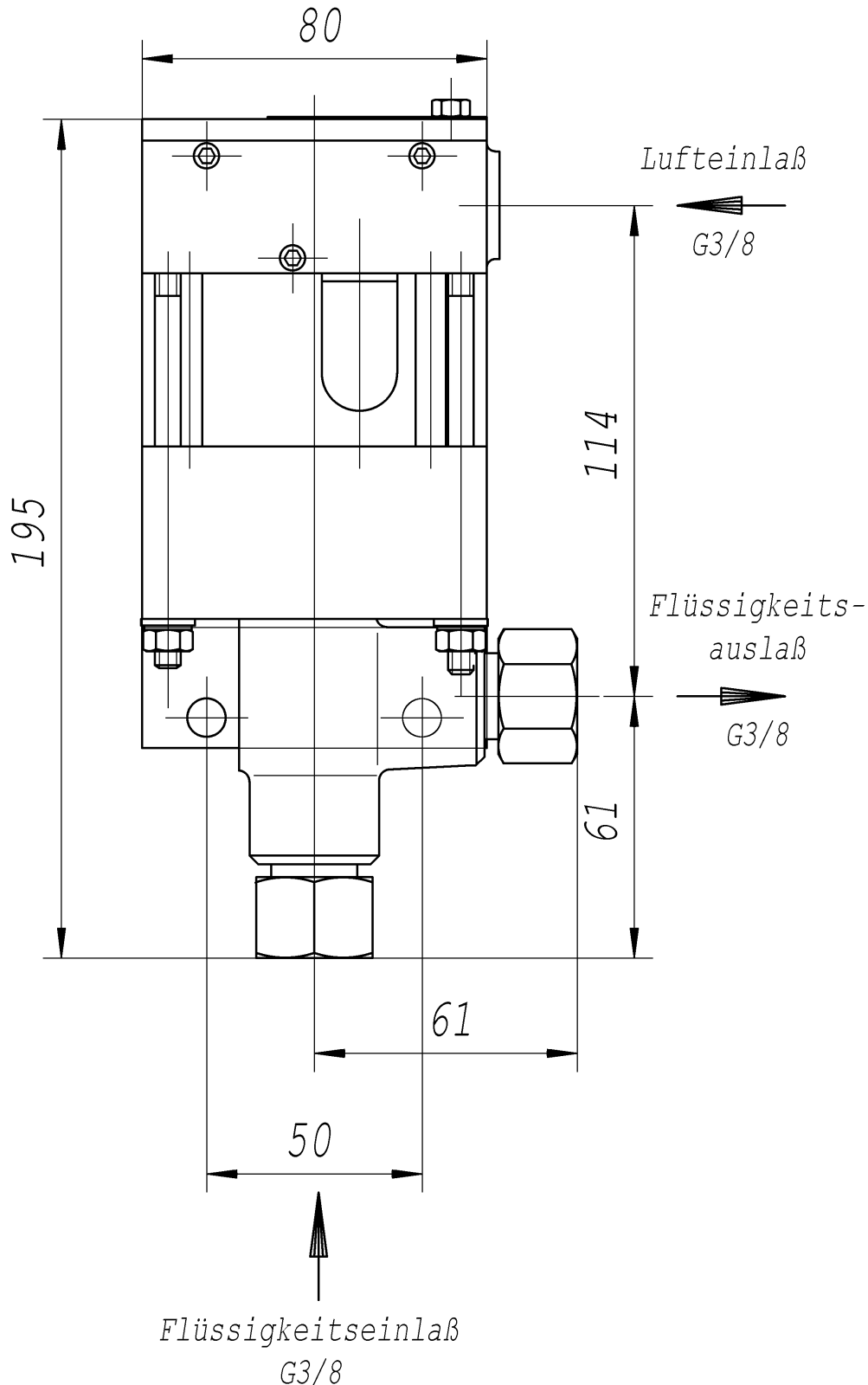
37449 Zorge/Germany, Walkenrieder Str. 15, Tel.: ++49 (0) 5586 803 0, Fax: ++49 (0) 5586 803 40

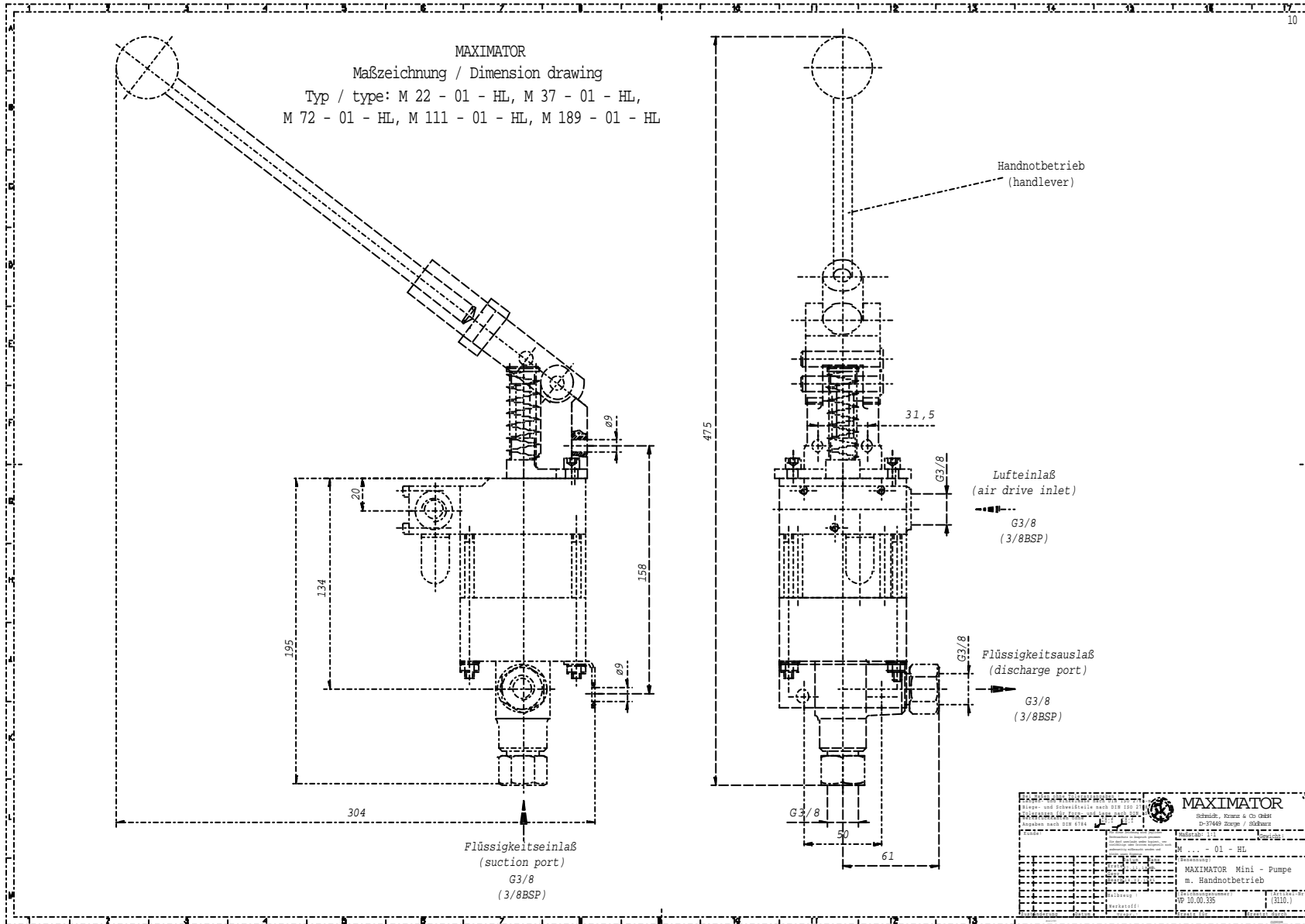
e-mail: info@maximator.de, website: www.maximator.de

MAXIMATOR®

Dimension Drawing M189

Lufteinlaß = Air Drive Inlet
Flüssigkeitseinlaß = Liquid Inlet
Flüssigkeitsauslaß = Liquid Outlet
Standard pump comes with BSP ports and bottom inlet.

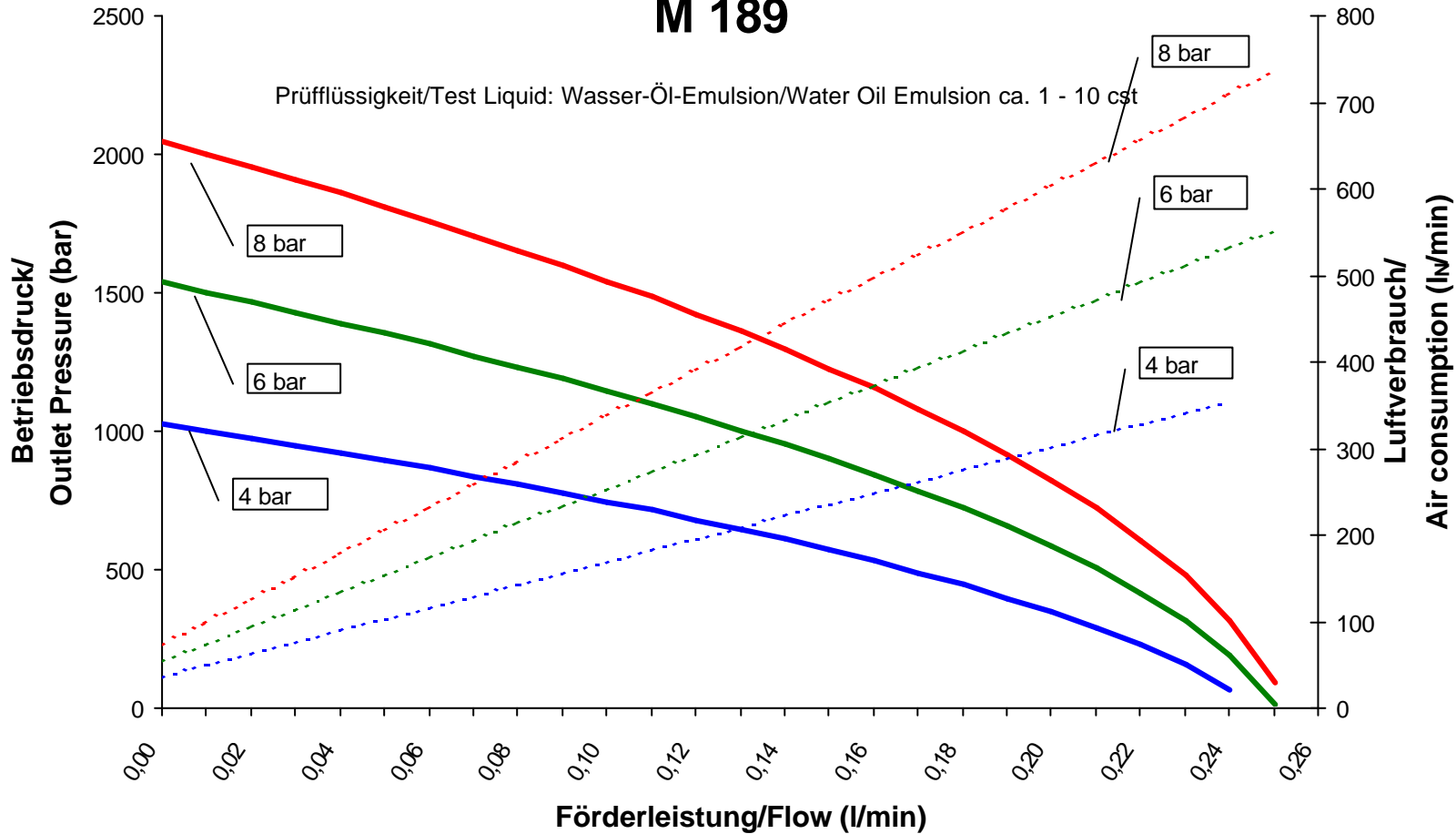




Leistungsdiagramm/Performance Graph

M 189

Prüfflüssigkeit/Test Liquid: Wasser-Öl-Emulsion/Water Oil Emulsion ca. 1 - 10 cst



- Betriebsdruck bei/Outlet Pressure at 4 bar
- Betriebsdruck bei/Outlet Pressure at 6 bar
- Betriebsdruck bei/Outlet Pressure at 8 bar
- ... Luftverbrauch bei/Air consumption at 4 bar
- ... Luftverbrauch bei/Air consumption at 6 bar
- ... Luftverbrauch bei/Air consumption at 8 bar