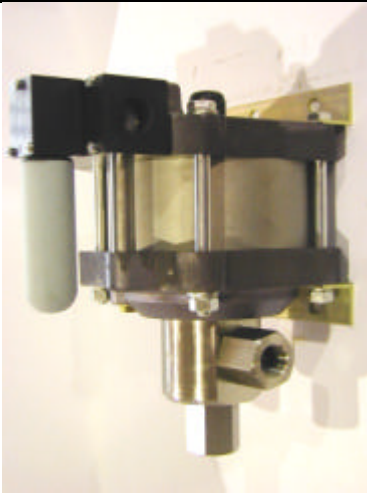


# MAXIMATOR®

<b>Technical Sheet</b> Release: 7/2000	<b>G35(L)</b>	Oil service					
	<b>G35(L)VE</b>	Water service					
 <p style="text-align: center;"><b>G35(L)</b>  <b>Single acting, single air drive head</b>          (Standard = Bottom inlet)</p>	<b>Technical Data:</b>						
	Air Drive Pressure:	1–10 bar/14,5–145 psi					
	Calculated Outlet Pressure at an air drive of 10 bar / 145 psi	400 bar/ 6,800 psi					
	Pressure ratio:	1 : 40					
	Displacement Volume/Double Stroke:	24.5 cm <sup>3</sup> / 1.49 cu.inch					
	<b>Connections:</b>						
	Inlet:	Standard: Bottom inlet 3/4 BSP					
	Outlet:	3/4 BSP					
	Air Drive:	3/4 BSP					
	Maximum Operating Temperature:	60°C					
	Net weight:	14.5 kg					
	<i>Pressure and flow performances, please see enclosed graph.</i>						
	<b>Wetted materials of construction:</b>	Seal Package:	<table border="1"> <tr> <td>G35(L):</td> <td>Polyurethane, Buna N</td> </tr> <tr> <td>G35(L)VE</td> <td>UHMWPE, Viton</td> </tr> </table>	G35(L):	Polyurethane, Buna N	G35(L)VE	UHMWPE, Viton
	G35(L):	Polyurethane, Buna N					
G35(L)VE	UHMWPE, Viton						
	Pump Body:	1.4305					
	Piston:	1.4112 (hardened)					
	Fittings:	1.4571					
<b>Approximate Dimensions:</b>							
	Height:	296 mm					
	Depth:	181 mm					
	Width:	272 mm					
<b>Available Options:</b>							
	Seal material for oil service (standard):	G35(L)					
	Seal material for water service:	G35(L)VE					
	Side inlet:	G35(L) <b>S</b> / G35(L)VE <b>S</b>					
	Special inlet and outlet ports, i.e. NPT	G35(L)- <b>NPT</b> G35(L)VE- <b>NPT</b>					
	Special seal material to handle special fluids on request.						
<b>Available Accessories:</b>							
Air control units for G series with filter pressure regulator, control pressure gauge and shut-off valve:	G35(L) <b>with C2</b>						
To protect the pump against excessive outlet pressures or to limit the outlet pressure, a safety valve can be fitted to the air control unit in the air drive line:	G35(L) <b>with C2/SVair</b> (The required outlet pressure has to be indicated.)						

**Please consult factory for more information.**

*All technical and dimensional information subject to change. All General Terms and Conditions of sale, including limitations of our liability, apply to all products and services sold.*

MAXIMATOR GmbH

37449 Zorge/Germany, Walkenrieder Str. 15, Tel.: ++49 (0) 5586 803 0, Fax: ++49 (0) 5586 803 40

e-mail: [info@maximator.de](mailto:info@maximator.de), website: [www.maximator.de](http://www.maximator.de)

# MAXIMATOR®

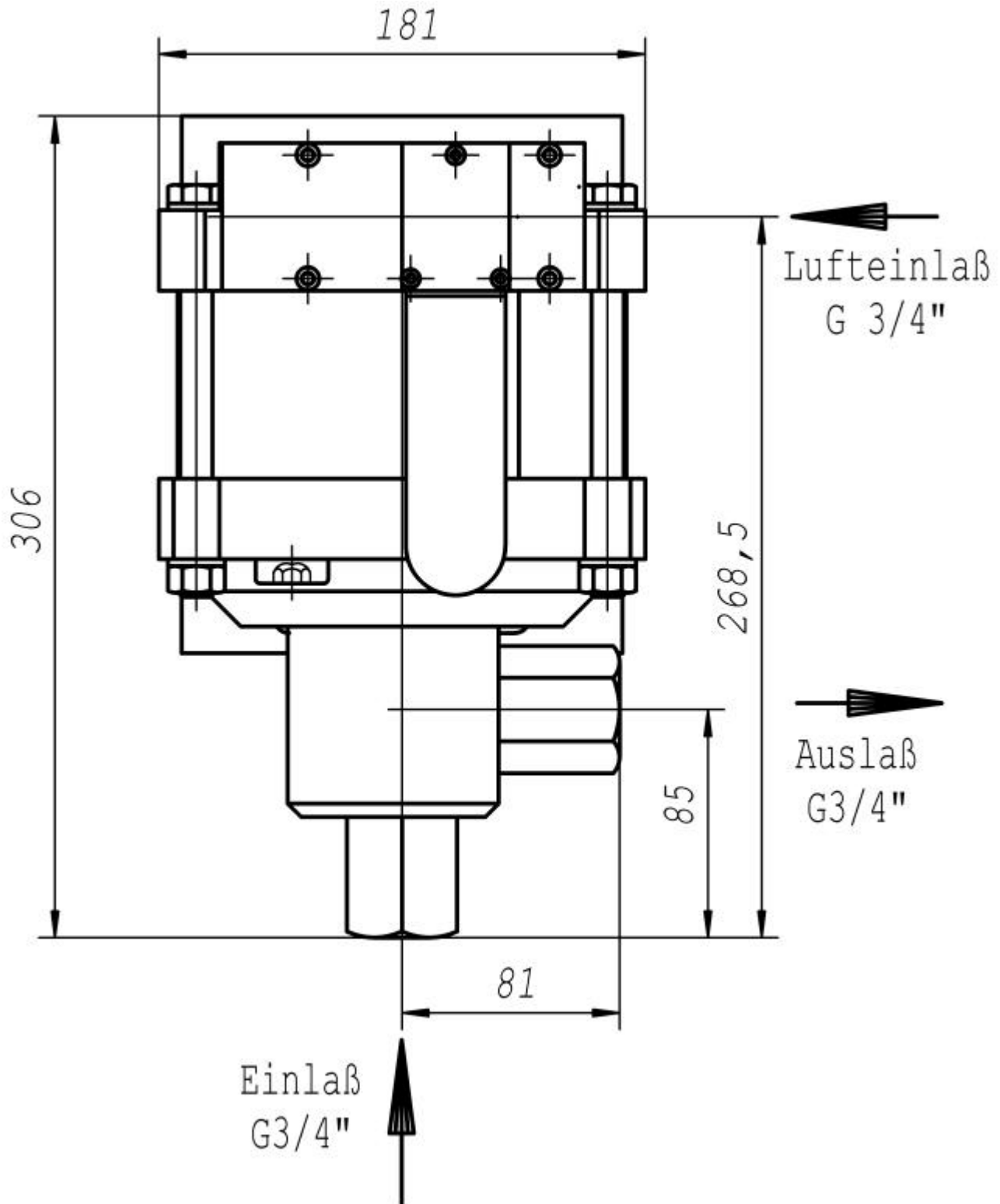
## Dimension Drawing G35

Lufteinlaß = Air Drive Inlet

Einlaß = Liquid Inlet

Auslaß = Liquid Outlet

Standard pump comes with BSP ports and bottom inlet.



MAXIMATOR GmbH

37449 Zorge/Germany, Walkenrieder Str. 15, Tel.: ++49 (0) 5586 803 0, Fax: ++49 (0) 5586 803 40

e-mail: [info@maximator.de](mailto:info@maximator.de), website: [www.maximator.de](http://www.maximator.de)

