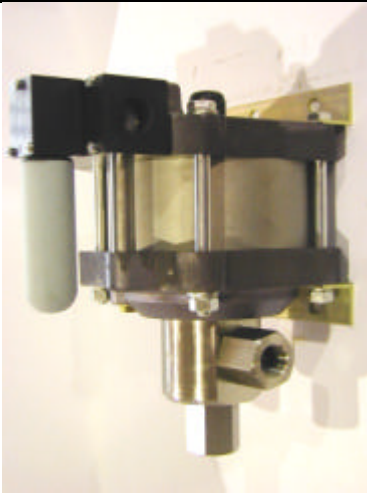


MAXIMATOR®

Technical Sheet Release: 7/2000	G25(L)	Oil service	
	G25(L)VE	Water service	
 <p style="text-align: center;">G25(L) Single acting, single air drive head (Standard = Bottom inlet)</p>	Technical Data:		
	Air Drive Pressure:	1–10 bar/14,5–145 psi	
	Calculated Outlet Pressure at an air drive of 10 bar / 145 psi	280 bar/ 4,260 psi	
	Pressure ratio:	1 : 28	
	Displacement Volume/Double Stroke:	35.3 cm ³ / 2.15 cu.inch	
	Connections:		
	Inlet:	Standard: Bottom inlet 3/4 BSP	
	Outlet:	3/4 BSP	
	Air Drive:	3/4 BSP	
	Maximum Operating Temperature:	60°C	
	Net weight:	14.5 kg	
	<i>Pressure and flow performances, please see enclosed graph.</i>		
	Wetted materials of construction:		
	Seal Package:	G25(L):	Polyurethane, Buna N
	G25(L)VE	UHMWPE, Viton	
Pump Body:	1.4305		
Piston:	1.4112 (hardened)		
Fittings:	1.4571		
Approximate Dimensions:			
Height:	296 mm		
Depth:	181 mm		
Width:	272 mm		
Available Options:			
Seal material for oil service (standard):	G25(L)		
Seal material for water service:	G25(L)VE		
Side inlet:	G25(L) S / G25(L)VE S		
Special inlet and outlet ports, i.e. NPT	G25(L)- NPT G25(L)VE- NPT		
Special seal material to handle special fluids on request.			
Available Accessories:			
Air control units for G series with filter pressure regulator, control pressure gauge and shut-off valve:	G25(L) with C2		
To protect the pump against excessive outlet pressures or to limit the outlet pressure, a safety valve can be fitted to the air control unit in the air drive line:	G25(L) with C2/SVair (The required outlet pressure has to be indicated.)		

Please consult factory for more information.

All technical and dimensional information subject to change. All General Terms and Conditions of sale, including limitations of our liability, apply to all products and services sold.

MAXIMATOR GmbH

37449 Zorge/Germany, Walkenrieder Str. 15, Tel.: ++49 (0) 5586 803 0, Fax: ++49 (0) 5586 803 40

e-mail: info@maximator.de, website: www.maximator.de

MAXIMATOR®

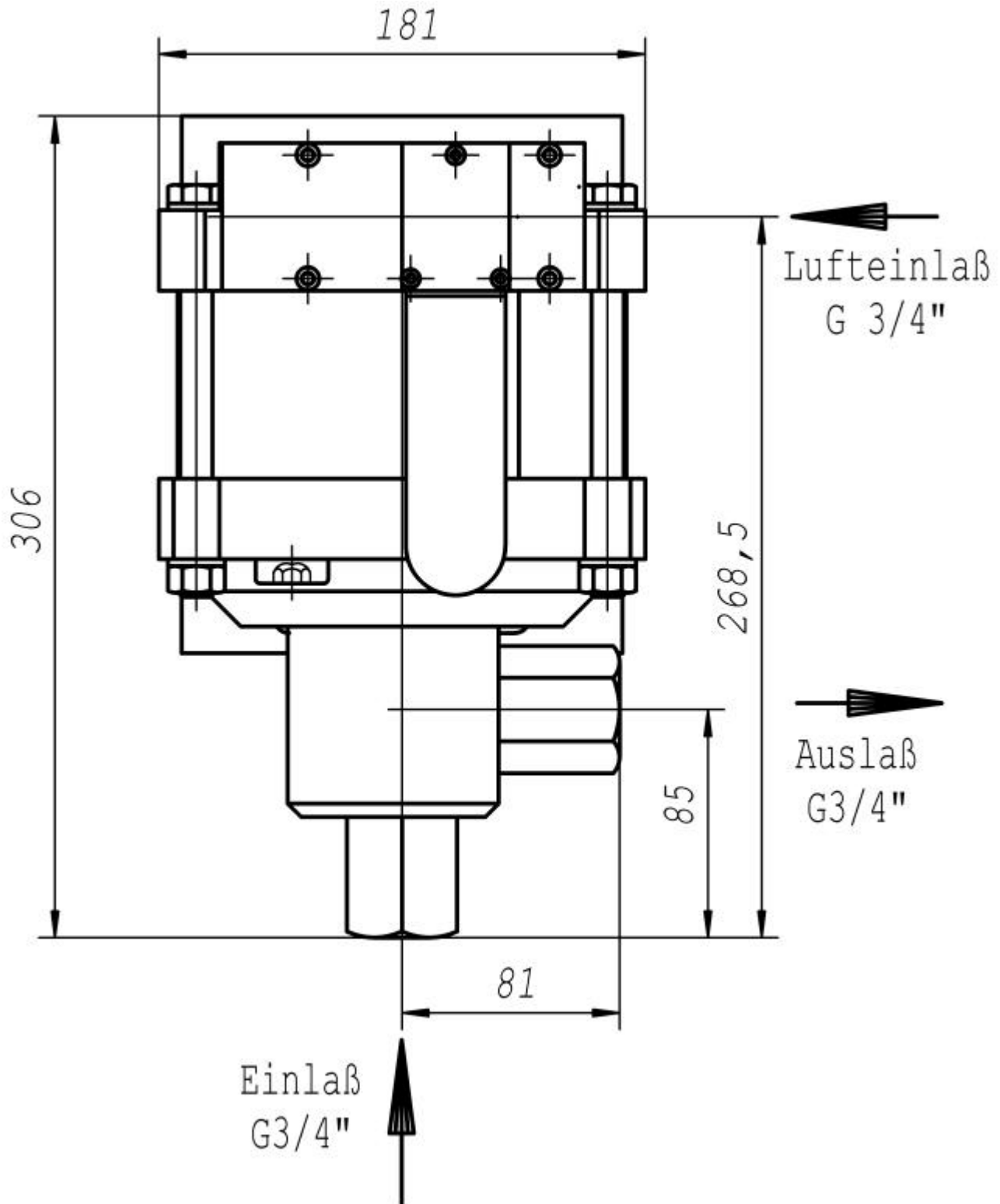
Dimension Drawing G25

Lufteinlaß = Air Drive Inlet

Einlaß = Liquid Inlet

Auslaß = Liquid Outlet

Standard pump comes with BSP ports and bottom inlet.



MAXIMATOR GmbH

37449 Zorge/Germany, Walkenrieder Str. 15, Tel.: ++49 (0) 5586 803 0, Fax: ++49 (0) 5586 803 40

e-mail: info@maximator.de, website: www.maximator.de

