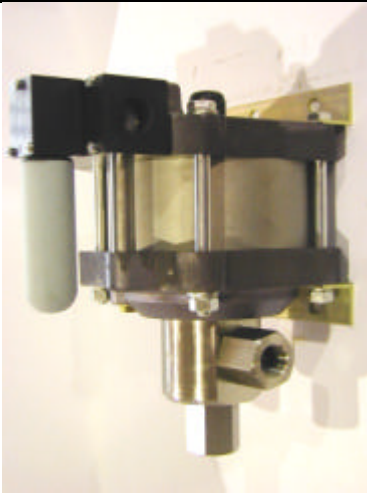


MAXIMATOR®

Technical Sheet Release: 11/2000	G150(L)	Oil service					
	G150(L)VE	Water service					
 <p style="text-align: center;">G150(L) Single acting, single air drive head (Standard = Bottom inlet)</p>	Technical Data:						
	Air Drive Pressure:	1–10 bar/14,5–145 psi					
	Maximum Permitted Outlet Pressure:	1,450 bar/ 21,025 psi					
	Pressure ratio:	1 : 151					
	Displacement Volume/Double Stroke:	6.6 cm ³ / 0.4 cu.inch					
	Connections:						
	Inlet:	Standard: Bottom inlet 3/4 BSP					
	Outlet:	½ BSP					
	Air Drive:	¾ BSP					
	Maximum Operating Temperature:	60°C					
	Net weight:	13.5 kg					
	<i>Pressure and flow performances, please see enclosed graph.</i>						
	Wetted materials of construction:	Seal Package:	<table border="1"> <tr> <td>G150(L):</td> <td>Polyurethane, Buna N</td> </tr> <tr> <td>G150(L)VE</td> <td>UHMWPE, Viton</td> </tr> </table>	G150(L):	Polyurethane, Buna N	G150(L)VE	UHMWPE, Viton
	G150(L):	Polyurethane, Buna N					
G150(L)VE	UHMWPE, Viton						
	Pump Body:	1.4305					
	Piston:	1.4112 (hardened)					
	Fittings:	1.4571					
Approximate Dimensions:		Height: 321 mm					
		Depth: 184.5 mm					
		Width: 272 mm					
Available Options:		Seal material for oil service (standard): G150(L)					
		Seal material for water service: G150(L)VE					
		Side inlet: G150(L) S / G150(L) VES					
		Special inlet and outlet ports, i.e. NPT: G150(L)- NPT G150(L)VE- NPT					
		Special seal material to handle special fluids on request.					
Available Accessories:							
Air control units for G series with filter pressure regulator, control pressure gauge and shut-off valve:	G150(L) with C2						
To protect the pump against excessive outlet pressures or to limit the outlet pressure, a safety valve can be fitted to the air control unit in the air drive line:	G150(L) with C2/SVair (The required outlet pressure has to be indicated.)						

Please consult factory for more information.

All technical and dimensional information subject to change. All General Terms and Conditions of sale, including limitations of our liability, apply to all products and services sold.

MAXIMATOR GmbH

37449 Zorge/Germany, Walkenrieder Str. 15, Tel.: ++49 (0) 5586 803 0, Fax: ++49 (0) 5586 803 40

e-mail: info@maximator.de, website: www.maximator.de

MAXIMATOR®

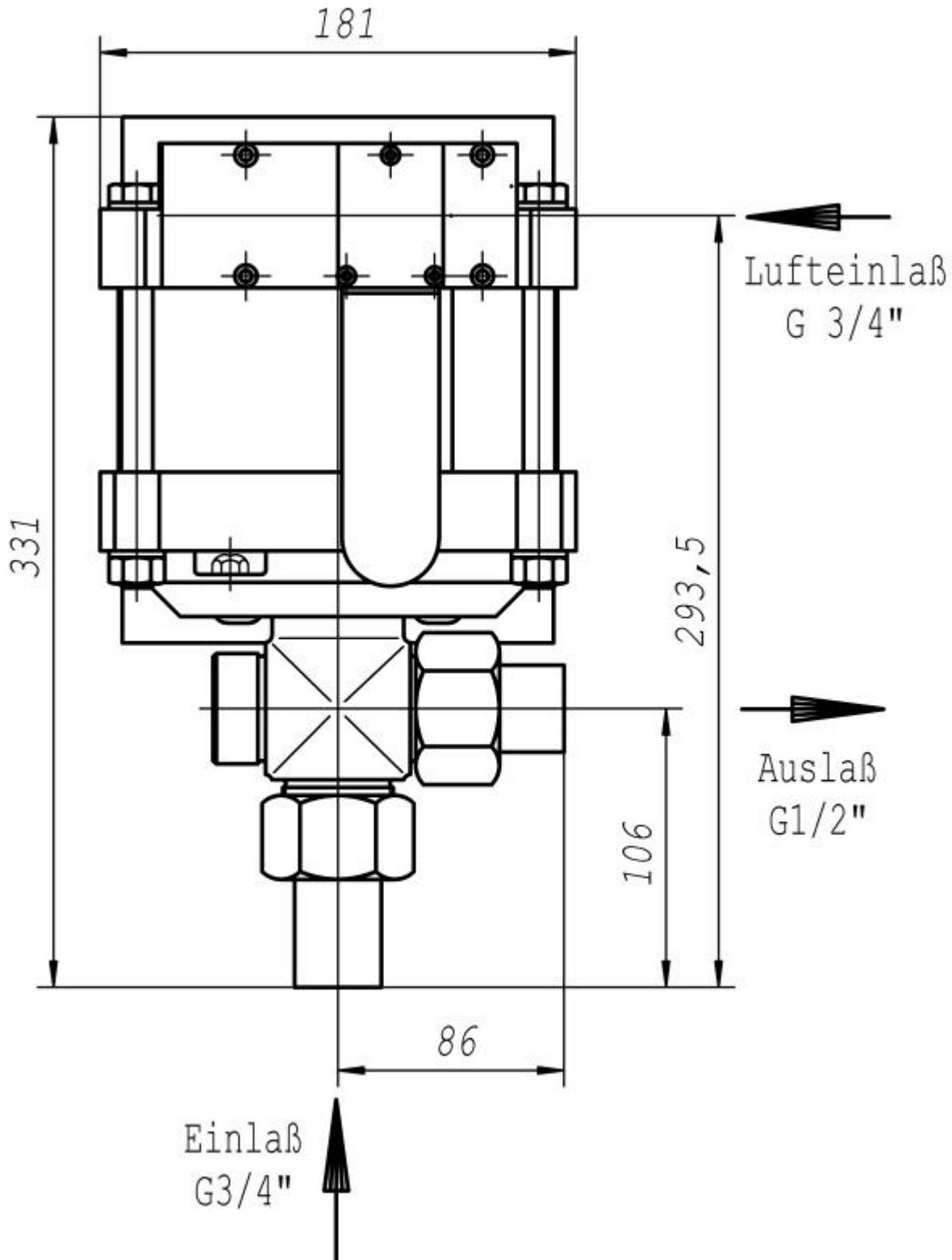
Dimension Drawing G150

Lufteinlaß = Air Drive Inlet

Einlaß = Liquid Inlet

Auslaß = Liquid Outlet

Standard pump comes with BSP ports and bottom inlet.



MAXIMATOR GmbH

37449 Zorge/Germany, Walkenrieder Str. 15, Tel.: ++49 (0) 5586 803 0, Fax: ++49 (0) 5586 803 40

e-mail: info@maximator.de, website: www.maximator.de

