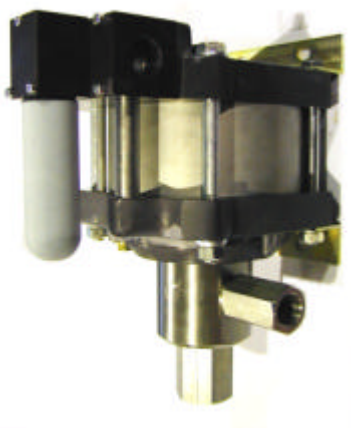


MAXIMATOR®

Technical Sheet Release: 7/2000	G15(L)	Oil service		
	G15(L)VE	Water service		
 <p style="text-align: center;">G15(L) Single acting, single air drive head (Standard = Bottom inlet)</p>	Technical Data:			
	Air Drive Pressure:	1–10 bar/14,5–145 psi		
	Calculated Outlet Pressure at an air drive of 10 bar / 145 psi	160 bar/ 1,095 psi		
	Pressure ratio:	1 : 16		
	Displacement Volume/Double Stroke:	62.0 cm ³ / 3.78 cu.inch		
	Connections:			
	Inlet:	Standard: Bottom inlet 1 BSP		
	Outlet:	3/4 BSP		
	Air Drive:	3/4 BSP		
	Maximum Operating Temperature:	60°C		
	Net weight:	16.0 kg		
	<i>Pressure and flow performances, please see enclosed graph.</i>			
	Wetted materials of construction:			
	Seal Package:	G15(L):	Polyurethane, Buna N	
	G15(L)VE	UHMWPE, Viton		
Pump Body:	1.4305			
Piston:	1.4112 (hardened)			
Fittings:	1.4571			
Approximate Dimensions:				
Height:	311 mm			
Depth:	190.5 mm			
Width:	272 mm			
Available Options:				
Seal material for oil service (standard):	G15(L)			
Seal material for water service:	G15(L)VE			
Side inlet:	G15(L) S / G15(L)VES			
Special inlet and outlet ports, i.e. NPT	G15(L)- NPT G15(L)VE- NPT			
Special seal material to handle special fluids on request.				
Available Accessories:				
Air control units for G series with filter pressure regulator, control pressure gauge and shut-off valve:	G15(L) with C2			
To protect the pump against excessive outlet pressures or to limit the outlet pressure, a safety valve can be fitted to the air control unit in the air drive line:	G15(L) with C2/SVair (The required outlet pressure has to be indicated.)			

Please consult factory for more information.

All technical and dimensional information subject to change. All General Terms and Conditions of sale, including limitations of our liability, apply to all products and services sold.

MAXIMATOR GmbH

37449 Zorge/Germany, Walkenrieder Str. 15, Tel.: ++49 (0) 5586 803 0, Fax: ++49 (0) 5586 803 40

e-mail: info@maximator.de, website: www.maximator.de

MAXIMATOR®

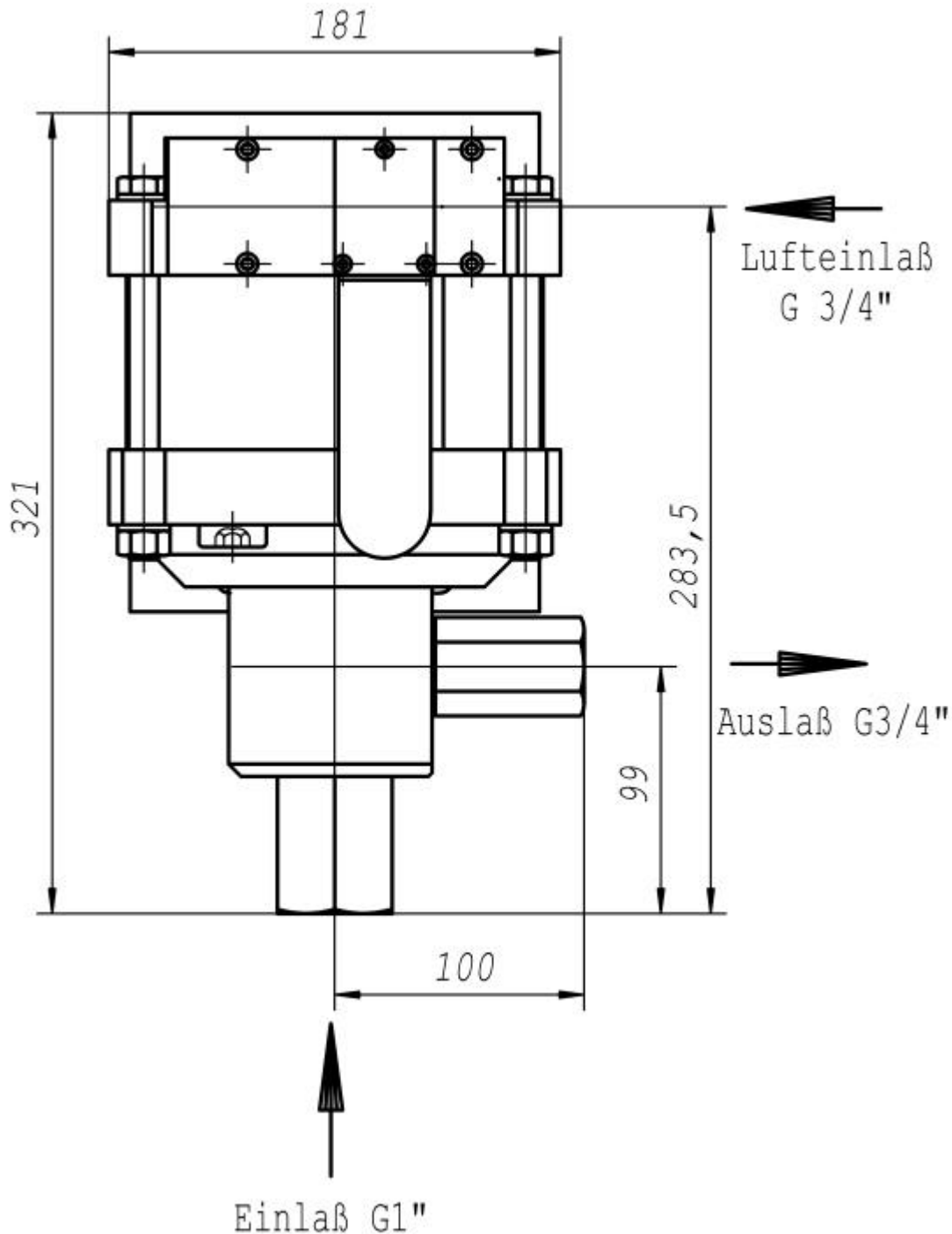
Dimension Drawing G15

Lufteinlaß = Air Drive Inlet

Einlaß = Liquid Inlet

Auslaß = Liquid Outlet

Standard pump comes with BSP ports and bottom inlet.



MAXIMATOR GmbH

37449 Zorge/Germany, Walkenrieder Str. 15, Tel.: ++49 (0) 5586 803 0, Fax: ++49 (0) 5586 803 40

e-mail: info@maximator.de, website: www.maximator.de

