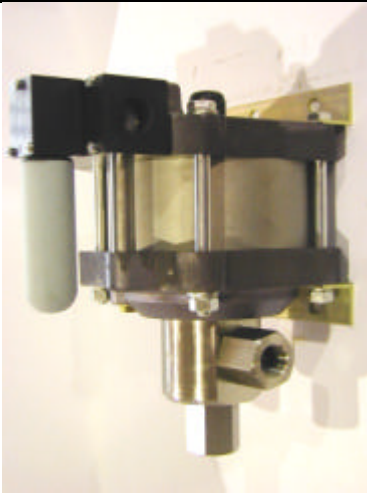


MAXIMATOR®

| | | | | | | | |
|---|---|---|---|----------|----------------------|-----------|---------------|
| Technical Sheet Release: 11/2000 | G100(L) | Oil service | | | | | |
| | G100(L)VE | Water service | | | | | |
|  <p style="text-align: center;">G100(L) Single acting, single air drive head (Standard = Bottom inlet)</p> | Technical Data: | | | | | | |
| | Air Drive Pressure: | 1–10 bar/14,5–145 psi | | | | | |
| | Maximum Permitted Outlet Pressure | 1,050 bar/ 15,225 psi | | | | | |
| | Pressure ratio: | 1 : 113 | | | | | |
| | Displacement Volume/Double Stroke: | 8.8 cm ³ / 0.54 cu.inch | | | | | |
| | Connections: | | | | | | |
| | Inlet: | Standard: Bottom inlet 3/4 BSP | | | | | |
| | Outlet: | ½ BSP | | | | | |
| | Air Drive: | ¾ BSP | | | | | |
| | Maximum Operating Temperature: | 60°C | | | | | |
| | Net weight: | 13.5 kg | | | | | |
| | <i>Pressure and flow performances, please see enclosed graph.</i> | | | | | | |
| | Wetted materials of construction: | Seal Package: | <table border="1"> <tr> <td>G100(L):</td> <td>Polyurethane, Buna N</td> </tr> <tr> <td>G100(L)VE</td> <td>UHMWPE, Viton</td> </tr> </table> | G100(L): | Polyurethane, Buna N | G100(L)VE | UHMWPE, Viton |
| | G100(L): | Polyurethane, Buna N | | | | | |
| G100(L)VE | UHMWPE, Viton | | | | | | |
| | Pump Body: | 1.4305 | | | | | |
| | Piston: | 1.4112 (hardened) | | | | | |
| | Fittings: | 1.4571 | | | | | |
| Approximate Dimensions: | | Height: 321 mm | | | | | |
| | | Depth: 184.5 mm | | | | | |
| | | Width: 272 mm | | | | | |
| Available Options: | | Seal material for oil service (standard): G100(L) | | | | | |
| | | Seal material for water service: G100(L)VE | | | | | |
| | | Side inlet: G100(L) S / G100(L) VES | | | | | |
| | | Special inlet and outlet ports, i.e. NPT G100(L)- NPT G100(L)VE- NPT | | | | | |
| | | Special seal material to handle special fluids on request. | | | | | |
| Available Accessories: | | | | | | | |
| Air control units for G series with filter pressure regulator, control pressure gauge and shut-off valve: | G100(L) with C2 | | | | | | |
| To protect the pump against excessive outlet pressures or to limit the outlet pressure, a safety valve can be fitted to the air control unit in the air drive line: | G100(L) with C2/SVair (The required outlet pressure has to be indicated.) | | | | | | |

Please consult factory for more information.

All technical and dimensional information subject to change. All General Terms and Conditions of sale, including limitations of our liability, apply to all products and services sold.

MAXIMATOR GmbH

37449 Zorge/Germany, Walkenrieder Str. 15, Tel.: ++49 (0) 5586 803 0, Fax: ++49 (0) 5586 803 40

e-mail: info@maximator.de, website: www.maximator.de

MAXIMATOR®

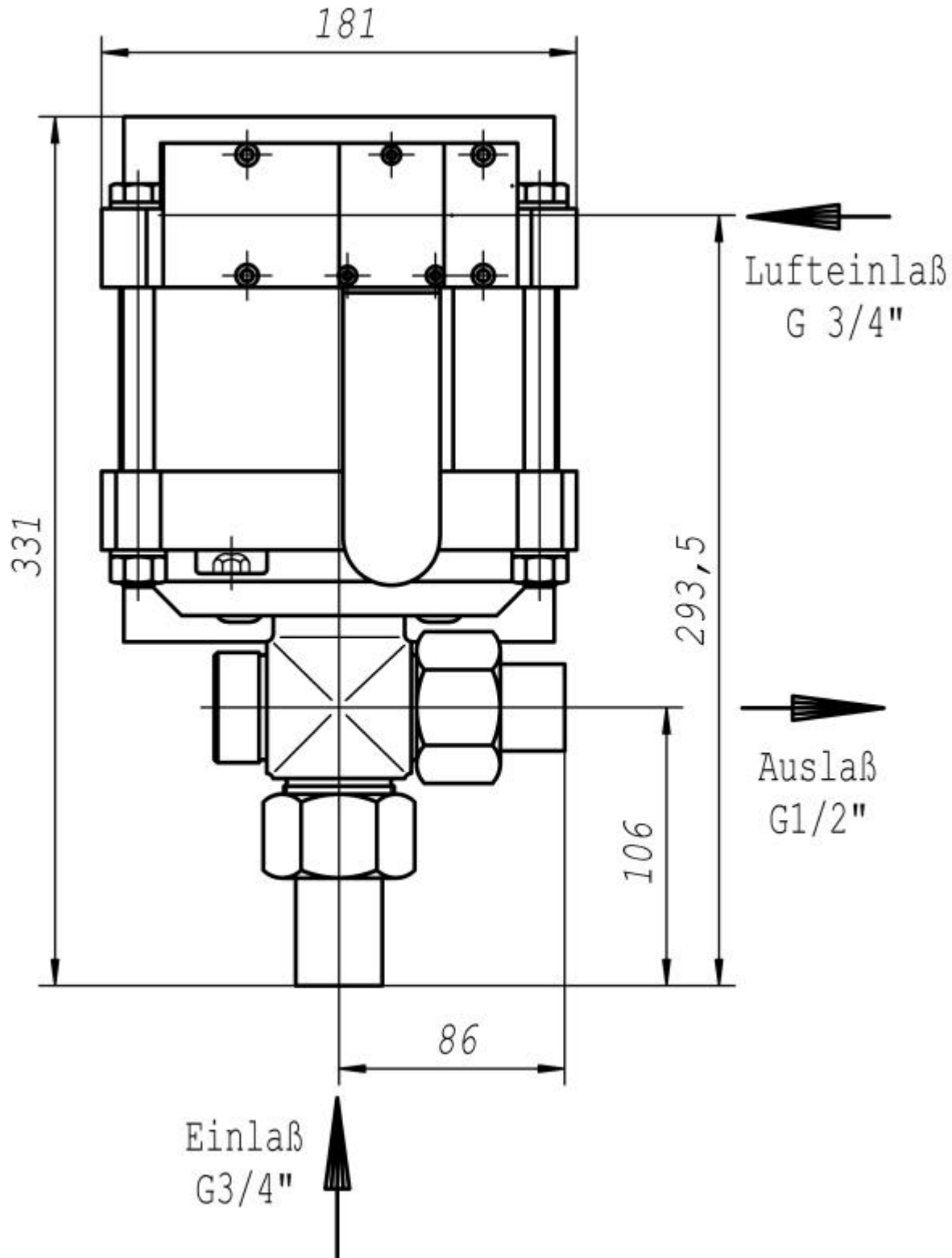
Dimension Drawing G100

Lufteinlaß = Air Drive Inlet

Einlaß = Liquid Inlet

Auslaß = Liquid Outlet

Standard pump comes with BSP ports and bottom inlet.



MAXIMATOR GmbH

37449 Zorge/Germany, Walkenrieder Str. 15, Tel.: ++49 (0) 5586 803 0, Fax: ++49 (0) 5586 803 40

e-mail: info@maximator.de, website: www.maximator.de

